



**NIAGARA PRODUCT CATALOG** | *MIDDLE EAST*



WELCOME TO THE  
WATER REVOLUTION.  
WE SAVED YOU A SEAT.

## ABOUT NIAGARA

**Niagara Conservation™** is a prime global source for energy and water conservation products and programs worldwide. Unlike our competitors, we are a vertical manufacturer that has grown our company and facilities to provide you the highest quality products with the best conservation technology available.

The Niagara name has become synonymous with innovative conservation for a growing customer base of utility companies, government leaders, energy management officials, and eco/cost-conscious homeowners and developers.

Today - as climate change, population growth, and record droughts present an unprecedented strain on our water supply - we are doubling down on our purpose and pushing our technology to invent ways for our customers to go from mindless waste to mindful conservation.



# TABLE OF CONTENTS

WESTERN WATER CLOSETS	6
NIAGARA MIDDLE EAST SANITARY WARE	14
AERATORS AND SHATTAFS	28
SHOWERHEADS, RAIN SHOWERS, AND SLIDING RAILS	36
NIAGARA MIDDLE EAST SHOWER TRAYS	46
NIAGARA MIDDLE EAST FAUCETS AND TAPS	50
NIAGARA MIDDLE EAST ACCESSORIES	68
NIAGARA PLUMBING FIXTURES	78
TECHNICAL INFORMATION	84

# WESTERN WATER CLOSETS

The Niagara patented toilet line features revolutionary Stealth Technology, creating a high performance flush at 3.0 LPF. This means water bill savings without sacrificing performance and satisfaction.

Other benefits include minimal maintenance flush system, no double-flushing, and technology that has a fixed rate that ensures a true 3.0 liter per flush every time.

A Niagara toilet is not only the perfect choice for new construction, but its large footprint and oversized structure also makes it ideal for retrofitting - there is no need to replace floor tiles or boards as it will cover the pre-existing footprint. All Niagara toilets are warranted for 10 years against any manufacturing related defects, parts and porcelain.



## STEALTH TECHNOLOGY® HOW IT WORKS

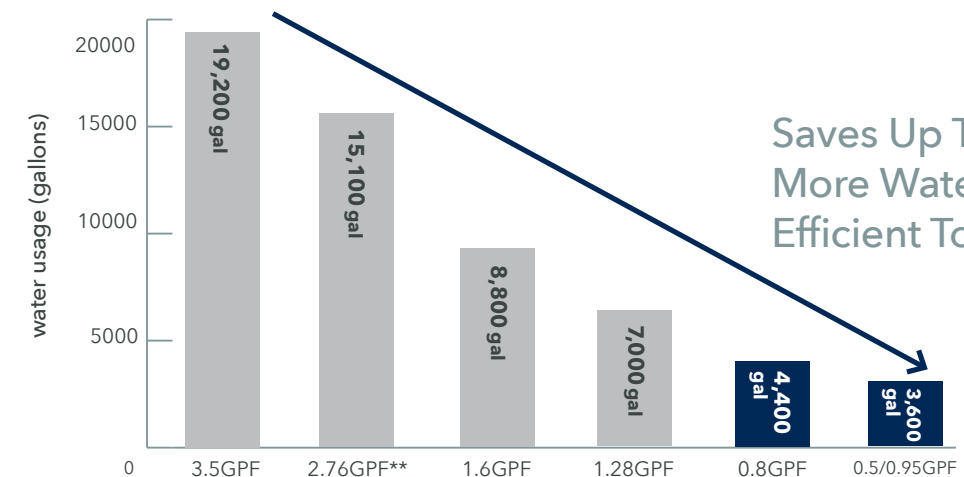


### Before the flush...

- 1 Water begins to refill the inner chamber and the tank surrounding it.
- 2 As water fills the inner chamber, it pushes air into an air transfer tube.
- 3 Air leaves the transfer tube and pressurizes the trapway.
- 4 Air pressure exerted on the "bowl side" of the trapway creates a larger water surface.

### During the flush...

- 1 When the flush button is pressed, water leaving the tank forces water through the openings in the side and front of the bowl rim.
- 2 Water flows down through the bowl, thoroughly rinsing the surface.
- 3 Water leaves the tank and enters the trapway under pressure.
- 4 As water leaves the inner chamber, it pulls air from the trapway into the transfer tube.
- 4 Air leaving the trapway creates a vacuum, exerting a pull that accelerates the force of water flowing through the trapway.



Saves Up To **77%** More Water than Less Efficient Toilets\*

Note: Items in this section without the Stealth® logo do not include this technology



## ONE PIECE™ 3.0 LPF

**N7711-TME** *Elongated Bowl*

- One flush thoroughly evacuates the bowl every time - no double flushing
- One-piece toilet merges the tank and bowl into an easy-to-clean design
- No flapper to cause leakage

### SPECIFICATIONS

**Rough-In:** 305mm (12")

**Materials:** Vitreous China

**Finish Color:** White

*\*Technical Drawing: pg 86*

*\*Tank Replacement: pg 89*

### CERTIFICATIONS

MaP Premium 800g

ASME A112.19.2

SASO Water Efficiency Labeled Product

WaterSense Certified



\*SEAT NOT INCLUDED



## THE ORIGINAL™ 3.0 LPF

**N7717-TME** *Elongated Bowl*  
**N7714-TME** *Tank*

- One flush thoroughly evacuates the bowl every time - no double flushing
- Two-piece toilet
- Stylish, inconspicuous and durable flush button
- No flapper to cause leakage

### SPECIFICATIONS

**Rough-In:** 305mm (12")

**Materials:** Vitreous China

**Finish Color:** White

*\*Technical Drawing: pg 86*

*\*Tank Replacement: pg 90*

### CERTIFICATIONS

MaP Premium 800g

ASME A112.19.2

SASO Water Efficiency Labeled Product

WaterSense Certified



\*SEAT NOT INCLUDED



## PHANTOM® 3.0 LPF

**N7747EB-TME** *Elongated Bowl*  
**N7747T-TME** *Tank*

- One flush thoroughly evacuates the bowl every time - no double flushing
- Two-piece toilet with a skirted trapway that simplifies cleaning
- No flapper to cause leakage

### SPECIFICATIONS

**Rough-In:** 305mm (12")

**Materials:** Vitreous China

**Finish Color:** White

*\*Technical Drawing: pg 86*

*\*Tank Replacement: pg 89*

### CERTIFICATIONS

MaP Premium 800g

ASME A112.19.2

SASO Water Efficiency Labeled Product

WaterSense Certified



\*SEAT NOT INCLUDED



## THE ORIGINAL™ 3.0 LPF

**N7716-TME** *Round Bowl*  
**N7714-TME** *Tank*

- One flush thoroughly evacuates the bowl every time - no double flushing
- Two-piece toilet with a skirted trapway that simplifies cleaning
- No flapper to cause leakage

### SPECIFICATIONS

**Rough-In:** 305mm (12")

**Materials:** Vitreous China

**Finish Color:** White

*\*Technical Drawing: pg 87*

*\*Tank Replacement: pg 90*

### CERTIFICATIONS

MaP Premium 800g

ASME A112.19.2

SASO Water Efficiency Labeled Product

WaterSense Certified



\*SEAT NOT INCLUDED

## MIDDLE EAST EXCLUSIVE ITEMS

### THE ORIGINAL™ 3.0 LPF

**N7717-TME** Elongated Bowl  
**N7714TFH-TME** Tank

- One flush thoroughly evacuates the bowl every time - no double flushing
- Two-piece toilet
- Stylish and durable side flush handle
- No flapper to cause leakage

#### SPECIFICATIONS

**Rough-In:** 305mm (12")  
**Materials:** Vitreous China  
**Finish Color:** White  
*\*Technical Drawing: pg 87*  
*\*Tank Replacement: pg 91*

#### CERTIFICATIONS

MaP Premium 800g  
 ASME A112.19.2  
 SASO Water Efficiency Labeled Product  
 WaterSense Certified



\*SEAT NOT INCLUDED

### REAR OUTLET 3.0 LPF

**N7799-TME** Elongated Bowl  
**N7799T-TME** Tank

- One flush thoroughly evacuates the bowl every time - no double flushing
- Floor mounted, floor outlet - Ideal for in-wall plumbing
- Stylish, inconspicuous and durable flush button
- No flapper to cause leakage

#### SPECIFICATIONS

**Rough-In:** 102mm (4")  
**Materials:** Vitreous China  
**Finish Color:** White  
*\*Technical Drawing: pg 87*  
*\*Tank Replacement: pg 91*

#### CERTIFICATIONS

MaP Premium 800g  
 ASME A112.19.2  
 SASO Water Efficiency Labeled Product  
 WaterSense Certified



\*SEAT NOT INCLUDED



### ONE PIECE™ 3.0 LPF

**N7751E-10-TME** Elongated Bowl

- One-Piece Design
- Concealed Trap
- Angled Bracket Mounting
- Bottom Outlet
- 10" Rough-In

#### SPECIFICATIONS

**Rough-In:** 254mm (10")  
**Materials:** Vitreous China  
**Finish Color:** White  
*\*Technical Drawing: pg 88*  
*\*Tank Replacement: pg 92*

#### CERTIFICATIONS

MaP Premium 800g  
 ASME A112.19.2 Compliant  
 SASO Water Efficiency Labeled Product



### ONE PIECE™ 3.0 LPF

**N7751E-12-TME** Elongated Bowl

- One-Piece Design
- Concealed Trap
- Angled Bracket Mounting
- Bottom Outlet
- 12" Rough-In

#### SPECIFICATIONS

**Rough-In:** 305mm (12")  
**Materials:** Vitreous China  
**Finish Color:** White  
*\*Technical Drawing: pg 88*  
*\*Tank Replacement: pg 92*

#### CERTIFICATIONS

MaP Premium 800g  
 ASME A112.19.2 Compliant  
 SASO Water Efficiency Labeled Product





## PHANTOM® 3.0 LPF

**N7747EB-10-TME** Elongated Bowl  
**N7747T-TME** Tank

- Flush: Top Button
- Concealed Trap
- Angled Bracket Mounting
- Bottom Outlet
- 10" Rough-In

### SPECIFICATIONS

**Rough-In:** 254mm (10")

**Materials:** Vitreous China

**Finish Color:** White

*\*Technical Drawing: pg 88*

*\*Tank Replacement: pg 89*

### CERTIFICATIONS

MaP Premium 800g

ASME A112.19.2 Compliant

SASO Water Efficiency Labeled Product



## EASTERN Wall Mounted Dual Flush Toilet 3.0/4.8 LPF

**N2373** Eastern Water Closet Tank  
**N2373-C** Eastern Water Closet

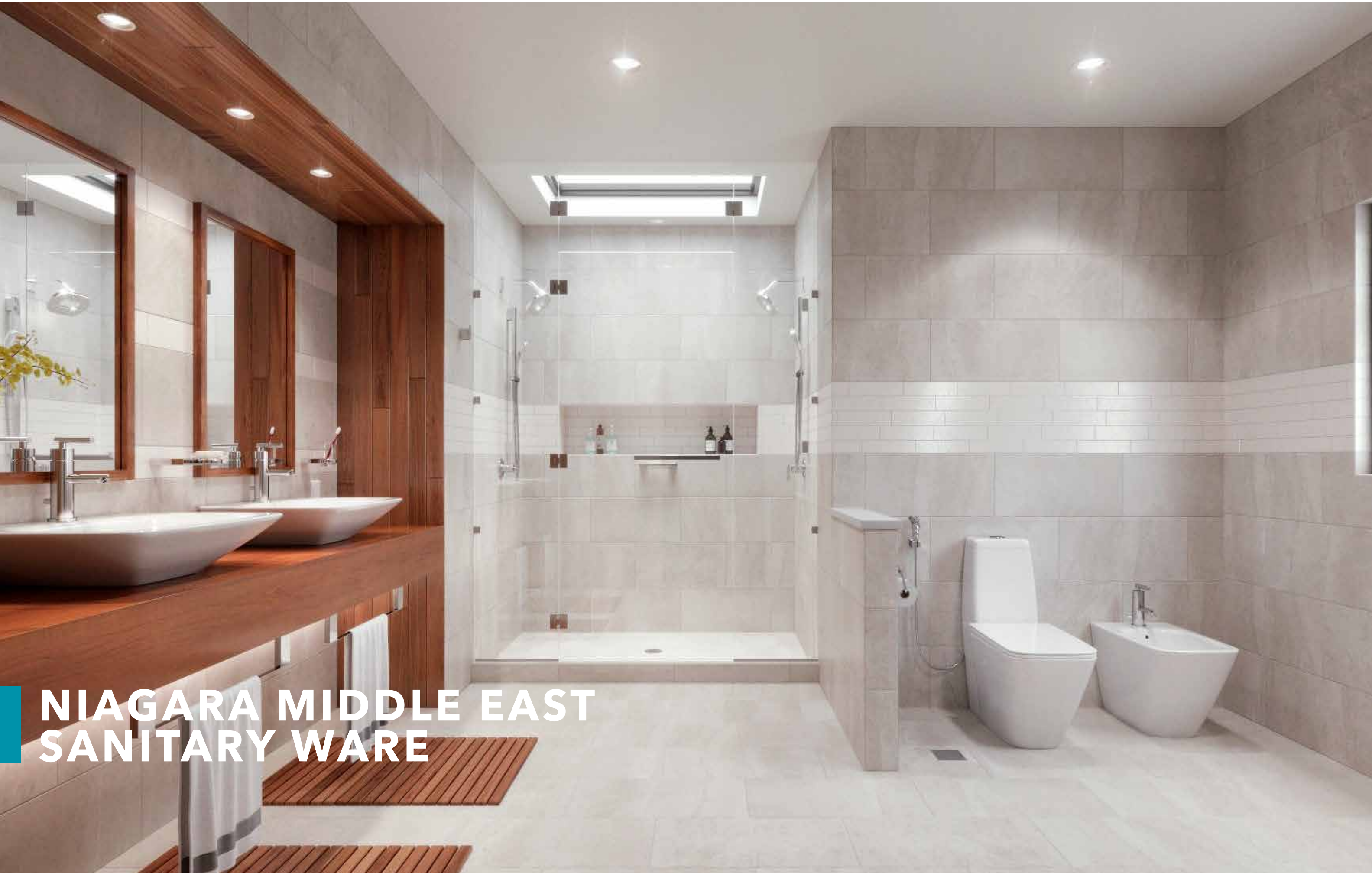
- Lowest dual flush rating for a wall mounted dual flush tank.
- Additional 34 cm (13.5") pipe length for two wall settings.
- Polypropylene - durable, heat resistant
- 5-year warranty against any manufacturing-related defect

*\*Technical Drawing: pg 92*

### CERTIFICATIONS

SASO Water Efficiency Labeled Product





**NIAGARA MIDDLE EAST  
SANITARY WARE**



# LIBERTY COLLECTION



## LIBERTY PEDESTAL WASH BASIN 65cm

**N6401**

- Wall hung wash basin
- Size: 650mm (25.59")
- Full pedestal
- Design includes overflow and faucet hole

### SPECIFICATIONS

**Materials:** Vitreous China  
**Finish Color:** White  
*\*Technical Drawing: pg 93*



## LIBERTY HALF PEDESTAL WASH BASIN 65cm

**N6402**

- Wall hung wash basin
- Size: 650mm (25.59")
- Half pedestal
- Design includes overflow and faucet hole

### SPECIFICATIONS

**Materials:** Vitreous China  
**Finish Color:** White  
*\*Technical Drawing: pg 93*



## LIBERTY WESTERN WATER CLOSET 4.5/6 LPF

**N6411**

- Dual flush mechanism: Top button
- OLI made in Portugal
- Two piece design
- 100mm floor outlet (s-trap)
- Soft closing seat cover
- Fixing screws

### SPECIFICATIONS

**Rough-In:** 240mm (9.44")  
**Materials:** Vitreous China  
**Finish Color:** White  
*\*Technical Drawing: pg 93*



## LIBERTY BACK TO WALL WATER CLOSET

### N6412

- Back to wall design
- 100 mm outlet
- Soft closing seat cover

#### SPECIFICATIONS

**Water Inlet Size:** 55mm (2.16")  
**Water Outlet Size:** 100mm (3.93")  
**Materials:** Vitreous China  
**Finish Color:** White  
*\*Technical Drawing: pg 94*



## LIBERTY BACK TO WALL BIDET

### N6416

- Back to wall design
- Soft closing seat cover
- Design includes overflow and faucet hole

#### SPECIFICATIONS

**Materials:** Vitreous China  
**Finish Color:** White  
*\*Technical Drawing: pg 94*



## LIBERTY WALL HUNG WATER CLOSET

### N6413

- Wall hung design
- Soft closing seat cover
- 100mm outlet

#### SPECIFICATIONS

**Water Inlet Size:** 55 mm (2.16")  
**Water Outlet Size:** 100 mm (3.93")  
**Materials:** Vitreous China  
**Finish Color:** White  
*\*Technical Drawing: pg 94*



## LIBERTY WALL HUNG BIDET

### N6417

- Wall hung design
- Soft closing seat cover
- Design includes overflow and faucet hole

#### SPECIFICATIONS

**Materials:** Vitreous China  
**Finish Color:** White  
*\*Technical Drawing: pg 94*



# MANHATTAN COLLECTION



## MANHATTAN HALF PEDESTAL WASH BASIN 65.5cm

### N6302

- Wall hung wash basin
- Size: 655mm (25.79")
- Half pedestal
- Design includes overflow and faucet hole

### SPECIFICATIONS

**Materials:** Vitreous China

**Finish Color:** White

*\*Technical Drawing: pg 95*



## MANHATTAN PEDESTAL WASH BASIN 65.5cm

### N6301

- Wall hung bidet
- Size: 655mm (25.79")
- Full pedestal
- Design includes overflow and faucet hole

### SPECIFICATIONS

**Materials:** Vitreous China

**Finish Color:** White

*\*Technical Drawing: pg 95*



## MANHATTAN WESTERN WATER CLOSET 4.5/6 LPF

### N6311

- Dual flush mechanism: Top button
- OLI made in Portugal
- Two piece design
- 100mm floor outlet (s-trap)
- Soft closing seat cover
- Fixing screws

### SPECIFICATIONS

**Rough-In:** 250mm (9.84")

**Materials:** Vitreous China

**Finish Color:** White

*\*Technical Drawing: pg 95*



# SANTA MONICA COLLECTION



**SANTA MONICA HALF PEDESTAL WASH BASIN**  
60cm

**N6202**

- Wall hung wash basin
- Size: 600mm (23.62")
- Half pedestal
- Design includes overflow and faucet hole

**SPECIFICATIONS**

**Materials:** Vitreous China  
**Finish Color:** White  
*\*Technical Drawing: pg 96*



**SANTA MONICA PEDESTAL WASH BASIN** 60cm

**N6201**

- Wall hung wash basin
- Size: 600mm (23.62")
- Full pedestal
- Design includes overflow and faucet hole

**SPECIFICATIONS**

**Materials:** Vitreous China  
**Finish Color:** China  
*\*Technical Drawing: pg 96*



**SANTA MONICA WESTERN WATER CLOSET** 4.5/6 LPF

**N6211**

- Dual flush mechanism: Top button
- OLI made in Portugal
- Two piece design
- 100mm floor outlet (s-trap)
- Soft closing seat cover
- Fixing screws

**SPECIFICATIONS**

**Rough-In:** 240 mm (9.44")  
**Materials:** Vitreous China  
**Finish Color:** White  
*\*Technical Drawing: pg 96*



## SANTA MONICA WALL HUNG WATER CLOSET

### N6213

- Wall hung design
- Soft closing seat cover
- 100mm outlet (3.93")

### SPECIFICATIONS

**Water Inlet Size:** 55mm (2.16")

**Water Outlet Size:** 100mm (3.93")

**Materials:** Vitreous China

**Finish Color:** White

*\*Technical Drawing: pg 96*



## SANTA MONICA WALL HUNG BIDET

### N6217

- Wall hung design
- Soft closing seat cover
- Design includes overflow and faucet hole

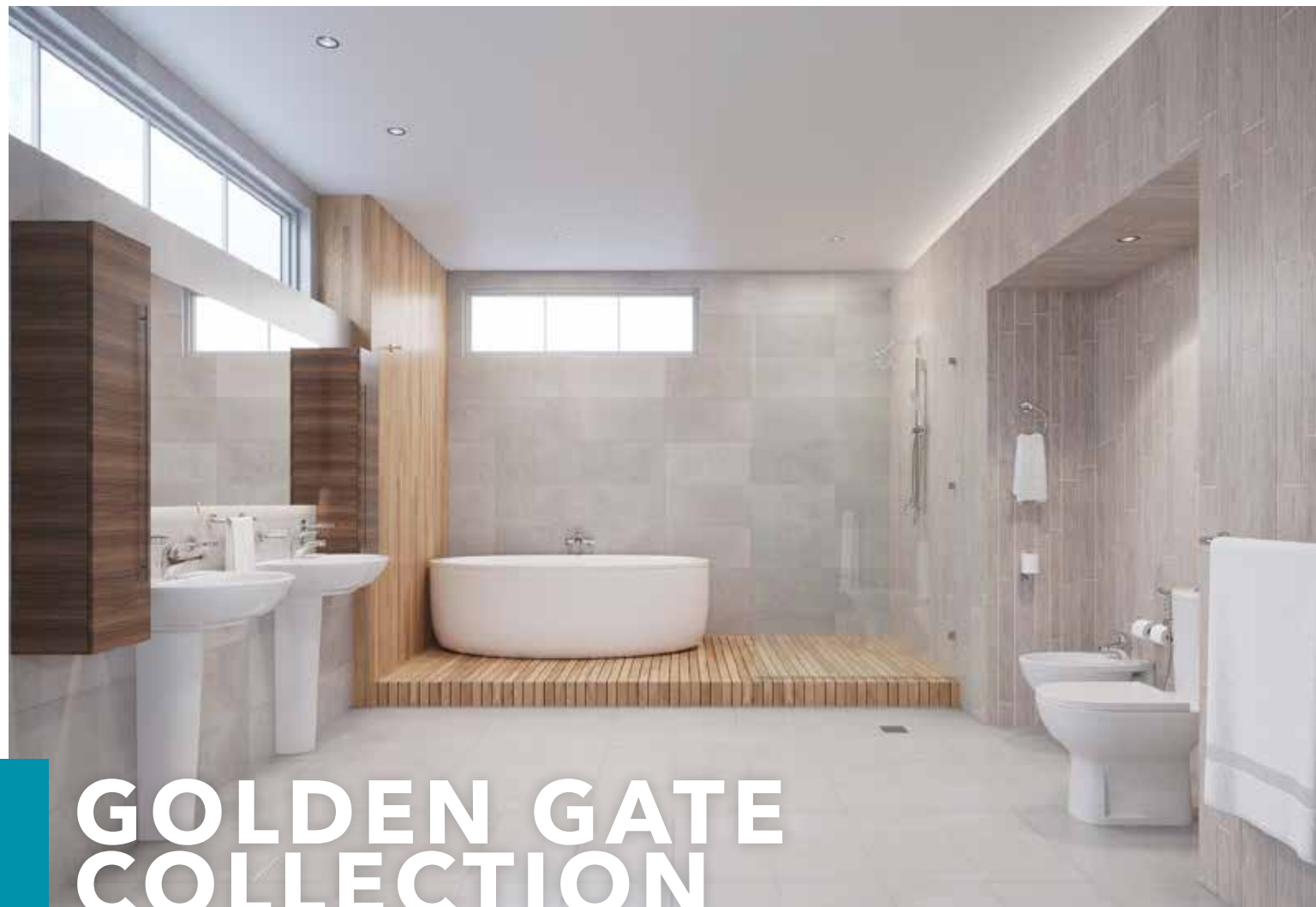
### SPECIFICATIONS

**Materials:** Vitreous China

**Finish Color:** White

*\*Technical Drawing: pg 97*





# GOLDEN GATE COLLECTION



## GOLDEN GATE HALF PEDESTAL WASH BASIN 60cm

### N6102

- Wall hung wash basin
- Size: 600mm (23.62")
- Half pedestal
- Design includes overflow and faucet hole

### SPECIFICATIONS

**Materials:** Vitreous China  
**Finish Color:** White  
*\*Technical Drawing: pg 97*



## GOLDEN GATE PEDESTAL WASH BASIN 60cm

### N6101

- Wall hung wash basin
- Size: 600mm (23.62")
- Full pedestal
- Design includes overflow and faucet hole

### SPECIFICATIONS

**Materials:** Vitreous China  
**Finish Color:** White  
*\*Technical Drawing: pg 97*



## GOLDEN GATE WESTERN WATER CLOSET 4.5/6 LPF

### N6111

- Dual flush mechanism: Top button
- OLI made in Portugal
- Two piece design
- 100mm floor outlet (s-trap)
- Soft closing seat cover
- Fixing screws

### SPECIFICATIONS

**Rough-In:** 240mm (9.44")  
**Materials:** Vitreous China  
**Finish Color:** White  
*\*Technical Drawing: pg 97*

# AERATORS AND SHATTAFS

Niagara Conservation combines the finest materials with unique designs in order to fulfill our customers' demands.

Kitchen and bathroom aerators represent a significant portion of your home's water consumption. Niagara's high-efficient aerators cut water usage and reduce utility bills with patented pressure-compensating Equiforce™ Technology.

This technology helps you save thousands of gallons of water a year without sacrificing pressure or performance. Equiforce Technology is built into each of our aerators to maintain a constant flow regardless of water pressure by regulating the amount of water that flows at higher pressures.



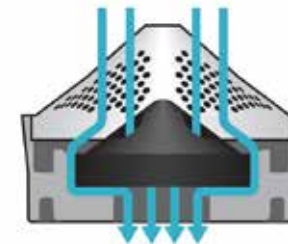
## EQUIFORCE TECHNOLOGY™ HOW IT WORKS

Niagara's Equiforce™ Technology is a pressure-compensating technology that guarantees a powerful, **consistent water output regardless of pressure.**



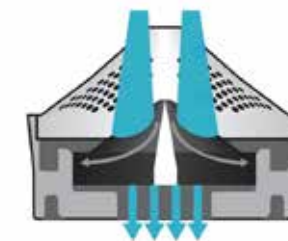
### PRESSURE-COMPENSATING DESIGN

Niagara's patented pressure-compensating technology, Equiforce™, is built into each of our showerheads and aerators. It has revolutionized water flow by providing constant water output regardless of the available water pressure. The flow is maintained by a flexible plastic disc that regulates the amount of water that flows through the showerhead or aerator.



### HOW IT WORKS

- At low pressure, water is allowed to flow through three holes in the center of the compensator around the scallop cutouts on the edges.
- As water pressure increases, the force presses down on the compensator, causing it to flex.
- As it flexes, the scalloped cuts seal off, allowing water to only flow through the center holes.
- As water pressure increases further, the compensator continues to flex and the shape of the holes distort, reducing the size of the openings. This further controls the amount of water that flows through them. The shape and hardness of the rubber helps maintain a level flow rate as the pressure increases.



*Note: Items in this section without the Equiforce™ logo do not include this technology*



N3610CH



N3615CH

## TRI-MAX™ AERATORS

**N3610CH** 1.9 / 3.8 / 5.7 LPM Needle  
**N3615CH** 1.9 / 3.8 / 5.7 LPM Needle

### N3610CH:

- Stylish, modern housing constructed from ABS—a precision engineered thermoplastic
- Dual thread connection has no visible threads. The non-stripping POM threading component comes with a special install key

### N3615CH:

- Easy grip turn-dial
- Dual thread connection
- 5-year warranty against any manufacturing related defects

### MATERIALS

**Body:** N3610CH - ABS polyethylene  
N3615CH - Chrome-plated brass  
**Internal Parts:** Chrome-plated brass, ABS and POM plastics and high heat rubber gaskets and flow compensator

\*Technical Drawing: pg 98

### CERTIFICATIONS

ASME A112.18.1  
CSA B125.1  
ANSI/NSF 61  
SASO Certified



NEEDLE SPRAY



BUBBLE SPRAY



INSTALLATION KEY

## DUAL THREAD AERATOR with Removable Threads

**N3601N** 3.8 LPM Needle  
**N3602N** 5.7 LPM Needle  
**N3601B** 3.8 LPM Bubble  
**N3602B** 5.7 LPM Bubble

- Aerator body is constructed entirely of ABS poly
- Aerator provides a splash-free, aerated stream
- Bubble spray model is air-induced providing a full stream of water
- Removable, dual-thread connection has no visible threads. The non-stripping threading component comes with special install key
- 5-year warranty against any manufacturing related defects

### CERTIFICATIONS

ASME A112.18.1  
CSA B125.1  
ANSI/NSF 61  
WaterSense Certified



### MATERIALS

**Body:** ABS polyethylenes  
**Internal Parts:** High heat rubber gaskets and flow compensator

### SPECIFICATIONS

**Application:** Potable Water  
**Packaging:** 504/carton, 6/tube  
5 tamperproof keys/carton  
\*Technical Drawing: pg 98



NEEDLE SPRAY



BUBBLE SPRAY

## DUAL THREAD AERATOR

**N3205N-PC** 1.9 LPM Needle (Not WaterSense Applicable)  
**N3210N-PC** 3.8 LPM Needle  
**N3215N-PC** 5.7 LPM Needle  
**N3210B-PC** 3.8 LPM Bubble  
**N3104B-PC** 5.7 LPM Bubble

- Aerator provides a splash-free, aerated stream
- Conical shape compensator helps to filter debris and mineral build-up
- Dual-thread brass connection
- Bubble spray model is air-induced providing a full stream
- 5-year warranty against any manufacturing related defects

### CERTIFICATIONS

ASME A112.18.1  
CSA B125.1  
ANSI/NSF 61  
WaterSense Certified



### MATERIALS

**Body:** Chrome-plated brass  
**Internal Parts:** High heat rubber gaskets and flow compensator

### SPECIFICATIONS

**Application:** Potable Water  
**Packaging:** 1000/carton, Individually bagged  
\*Technical Drawing: pg 98



NEEDLE SPRAY



BUBBLE SPRAY



TAMPERPROOF KEY

## TAMPERPROOF AERATOR with Male Threads

**N3205NMTP-PC-T** 1.9 LPM Needle (Not WaterSense Applicable)  
**N3210NMTP-PC-T** 3.8 LPM Needle  
**N3215NMTP-PC-T** 5.7 LPM Needle  
**N3210BMTP-PC-T** 3.8 LPM Bubble  
**N3215BMTP-PC-T** 5.7 LPM Bubble

- Tamperproof body to be only accessible with special key
- Consists of faucet body, tamperproof handle, and all internal parts necessary for operation, tamperproof key for installation
- 5-year warranty against any manufacturing related defects

### SPECIFICATIONS

**Application:** Potable Water  
**Packaging:** 504/carton, 6/tube  
25 tamperproof keys/carton  
\*Technical Drawing: pg 98

### MATERIALS

**Body:** Chrome-plated brass  
**Internal Parts:** High heat rubber gaskets and flow compensator

### CERTIFICATIONS

ASME A112.18.1  
CSA B125.1  
ANSI/NSF 61  
WaterSense Certified





TAMPERPROOF KEY

## TAMPERPROOF AERATOR with Female Threads

- N3205NFTP-PC-T** 1.9 LPM Needle (Not WaterSense Applicable)
- N3210NFTP-PC-T** 3.8 LPM Needle
- N3215NFTP-PC-T** 5.7 LPM Needle
- N3210BFTP-PC-T** 3.8 LPM Bubble
- N3215BFTP-PC-T** 5.7 LPM Bubble

- Tamperproof body to be only accessible with special key
- Consists of faucet body, tamperproof handle, and all internal parts necessary for operation, tamperproof key for installation
- 5-year warranty against any manufacturing related defects

### SPECIFICATIONS

**Application:** Potable Water  
**Packaging:** 504/carton, 6/tube  
 25 tamperproof keys/carton  
 \*Technical Drawing: pg 98

### MATERIALS

**Body:** Chrome-plated brass  
**Internal Parts:** High heat rubber gaskets and flow compensator

### CERTIFICATIONS

**ASME** A112.18.1  
**CSA** B125.1  
**ANSI/NSF** 61  
**WaterSense Certified**



## DUAL SPRAY KITCHEN AERATOR

**N3115P** 5.7 LPM White/Chrome

- POM ball joint with 360° swivel
- Dual threads for easy installation
- 5-year warranty against any manufacturing related defect

### CERTIFICATIONS

**ASME** A112.18.1  
**CSA** B125.1  
**ANSI/NSF** 61



### SPECIFICATIONS

**Application:** Potable Water  
**Packaging:** 300/carton, individually bagged  
 \*Technical Drawing: pg 99

### MATERIALS

**Body:** Chrome plated durable ABS plastic,  
**Internal Parts:** ABS & Acetal (POM) plastics, high heat rubber gaskets & flow compensator



## DUAL SPRAY KITCHEN AERATOR with Pause Valve

**N3115VP-FC** 5.7 LPM Black/White

- POM ball joint with 360° swivel
- Pause action reduces flow to a trickle while keeping temperature consistent
- Control from soft spray to solid stream, with up-and-down action to change spray settings
- Rubberized grip for easy adjustment
- Dual threads for easy installation
- 5-year warranty against any manufacturing related defect

### CERTIFICATIONS

**ASME** A112.18.1  
**CSA** B125.1  
**ANSI/NSF** 61



### SPECIFICATIONS

**Application:** Potable Water  
**Packaging:** 300/carton, individually bagged  
 \*Technical Drawing: pg 99

### MATERIALS

**Body:** Chrome plated durable ABS plastic,  
**Internal Parts:** ABS & Acetal (POM) plastics, high heat rubber gaskets & flow compensator



Niagara products work better and waste nothing. Efficient design and innovative technology are key to solving a global crisis.



## DUAL SPRAY KITCHEN AERATOR

**N3126P** 5.7 LPM White  
**N3126P-C** 5.7 LPM Chrome

- Two(2) spray functions: Air inducted soft bubble steam and splash-free needle spray pattern of twenty (20) individual streams with a push/pull of the body
- POM ball joint with 360° swivel, virtually lead-free aerator
- Soft rubber nozzles for easy cleaning and decalcification
- 5-year warranty against any manufacturing related defects

### CERTIFICATIONS

ASME A112.18.1  
 CSA B125.1  
 ANSI/NSF 61  
 WaterSense Certified



### SPECIFICATIONS

**Application:** Potable Water  
**Packaging:** 300/carton, individually bagged  
*\*Technical Drawing: pg 99*

### MATERIALS

**Body:** Chrome-plated plastic  
**Internal Parts:** High heat rubber gaskets and flow compensator



## SUPER SHATTAF® Bidet Sprayer

**N2317** 5.7 LPM Standard Super Shattaf  
**N2317-TP** 5.7 LPM Tamperproof Super Shattaf  
**N2317-VB** 5.7 LPM Vacuum Breaker for Shattaf Unit  
**N2317CH** 5.7 LPM Chrome Plated Super Shattaf  
**N2317CH-TP** 5.7 LPM Chrome Plated Tamperproof Super Shattaf

- Consists of spray body, body aerator, hose with bracket and all internal parts necessary for operation
- Sprayer maintains 690 kPa (100 psi) and functions at maximum working pressure of 860 kPa (125 psi)
- Handle has two settings: manual and full flow
- 5-year warranty against any manufacturing related defects
- Four (4) O-Rings prevent leakage

### MEASUREMENTS

**Hose:** 120cm (47") Stainless steel wrapped PVC with chrome-plated brass end connectors  
**Sprayer:** 89mm (3.5") x 122mm (4.4") x 32mm (1.25")

### CERTIFICATIONS

ASME A1182 Compliant  
 CSA B125 Compliant

### MATERIALS

**Sprayer Body:** ABS plastic - White Handle, Plunger  
**Aerator:** Chrome-plated brass  
**Bracket:** Chrome-plated durable ABS plastic with mounting screws and anchors  
**Aerator Internal Parts:** High-heat rubber gaskets

*\*Technical Drawing: pg 99*



## DUAL SPRAY KITCHEN AERATOR with Pause Valve

**N3126VP** 5.7 LPM White  
**N3126VP-C** 5.7 LPM Chrome

- Two(2) spray functions: Air inducted soft bubble steam and splash-free needle spray pattern of twenty (20) individual streams with a push/pull of the body
- Tip-touch control valve allows trickle "on" without resetting water flow or temperature
- POM ball joint with 360° swivel, virtually lead-free aerator
- Soft rubber nozzles for easy cleaning and decalcification
- 5-year warranty against any manufacturing related defects

### CERTIFICATIONS

ASME A112.18.1  
 CSA B125.1  
 ANSI/NSF 61



### SPECIFICATIONS

**Application:** Potable Water  
**Packaging:** 300/carton, individually bagged  
*\*Technical Drawing: pg 99*

### MATERIALS

**Body:** Chrome-plated plastic  
**Internal Parts:** High heat rubber gaskets and flow compensator

## MIDDLE EAST EXCLUSIVE



## SHATTAF

**NT6116** 4.5 LPM

- 120cm Stainless steel hose
- Wall bracket

### SPECIFICATIONS

**Materials:** Chrome Body  
**Packaging:** Carton



## SHATTAF

**NT6117** 4.5 LPM

- 120cm Stainless steel hose
- Wall bracket

### SPECIFICATIONS

**Materials:** Chrome Body  
**Packaging:** Carton

# SHOWERHEADS, RAIN SHOWERS, AND SLIDING RAILS

Showerheads represent another significant portion of your home's water consumption. Niagara's high-efficient showerheads cut water usage and reduce utility bills with patented pressure-compensating Equiforce™ Technology.

This technology helps you save thousands of gallons of water a year without sacrificing pressure or performance. Equiforce Technology is built into each of our showerheads to maintain a constant flow regardless of water pressure by regulating the amount of water that flows at higher pressures.

Niagara's showerheads are the ultimate high-efficiency product. Unique designs coupled with Equiforce Technology allows for a more enjoyable shower. Enjoy a shower longer without the guilt of wasting as much water as a traditional showerhead.



Note: Items in this section without the Equiforce™ logo do not include this technology



EARTH WITH SOAP AND SOAK VALVE



WHITE FINISH



HOSE ASSEMBLY

## EARTH® FIXED MOUNT SHOWERHEAD

- N2920** 7.6 LPM White
- N2920CH** 7.6 LPM Chrome
- N2920CH-TP-ME** 7.6 LPM Chrome Tamperproof
- N2915** 5.7 LPM 5.7 LPM White
- N2920-V** 7.6 LPM 7.6 LPM with Soap and Soak Valve, White

- Three spray settings: 9-jet power spray, shower & combo
- Symmetrical conical pattern water flow with large spray diameter
- Large POM swivel adjustment
- Easy installation without tools
- Corrosion-resistant, high-impact ABS thermoplastic body is maintenance-free
- 5-year warranty against any manufacturing related defects

### MATERIALS

**Body:** Chrome-plated or white color ABS plastic  
**Internal Parts:** Chrome-plated brass ball joint, ABS plastic & high heat rubber gaskets and pressure compensator

### CERTIFICATIONS

**ASME** A112.18.1  
**CSA** B125.1  
**WaterSense Certified**  
**SASO** Water Efficiency Labeled Product



\*Technical Drawing: pg 100

## EARTH® HANDHELD SHOWERHEAD

- N2935-ME** 7.6 LPM White
- N2935CH-ME** 7.6 LPM Chrome
- N2945CH-ME** 5.7 LPM Chrome

- Three spray settings: 9-jet power spray, shower & combo
- Symmetrical conical pattern water flow with large spray diameter
- Includes 183.9cm (72 Inch) tangle-free, high-quality, stainless steel hose and mounting bracket
- Corrosion-resistant, high-impact ABS thermoplastic body is maintenance-free
- A non-aerated spray means less temperature loss with maximum energy savings
- 5-year warranty against any manufacturing related defects
- Wall-mounted bracket included
- Turns freely when connected

### MATERIALS

**Body:** Chrome-plated or white color ABS plastic  
**Internal Parts:** Chrome-plated brass, ABS and POM plastics & high heat rubber gaskets and pressure compensator  
**Hose:** Stainless steel wrapped PVC chrome-plated brass connectors, Hose connector is G1/2 male thread

### CERTIFICATIONS

**ASME** A112.18.1  
**CSA** B125.1  
**WaterSense Certified**  
**SASO** Water Efficiency Labeled Product



\*Technical Drawing: pg 100



## VARA SPA™ FIXED MOUNT SHOWERHEAD

**N9620CH** 7.6 LPM Chrome

- Five (5) spray patterns: Full, Pulse, Center, Full+Pulse, Full+Center
- Rubberized, easy-clean nozzles
- Turns freely when connected
- 5-year warranty against any manufacturing related defects

### MATERIALS

**Body:** Chrome-plated ABS plastic  
**Internal Parts:** Chrome-plated brass ball joint, ABS plastic & high heat rubber gaskets and pressure compensator

\*Technical Drawing: pg 100

### CERTIFICATIONS

**ASME A112.18.1**  
**CSA B125.1**  
**WaterSense Certified**



## VARA SPA™ HANDHELD SHOWERHEAD

**N9620CH-HH** 7.6 LPM Chrome

- Five (5) spray patterns: Full, Pulse, Center, Full+Pulse, Full+Center
- Rubberized, easy-clean nozzles
- Wall-mounted bracket included
- Turns freely when connected
- 5-year warranty against any manufacturing related defects

### MATERIALS

**Body:** Chrome-plated ABS plastic  
**Hose:** Stainless steel-wrapped PVC  
**Connectors:** Chrome-plated brass

\*Technical Drawing: pg 100

### CERTIFICATIONS

**ASME A112.18.1**  
**CSA B125.1**  
**WaterSense Certified**



## VARA SPA™ COMBO SHOWERHEAD

**N9720CH-HH** 7.6 LPM Chrome

- Five (5) spray patterns: Full, Pulse, Center, Full+Pulse, Full+Center
- Rubberized, easy-clean nozzles
- Wall-mounted bracket included
- Turns freely when connected
- Easily changes from handheld to fixed mount or use both
- 5-year warranty against any manufacturing related defects

### MATERIALS

**Body:** Chrome-plated ABS plastic  
**Hose:** Stainless steel-wrapped PVC  
**Connectors:** Chrome-plated brass

\*Technical Drawing: pg 100

### CERTIFICATIONS

**ASME A112.18.1**  
**CSA B125.1**  
**CASS B368**  
**WaterSense Certified**



## HEALTHGUARD™ FIXED MOUNT SHOWERHEAD

**N9917CH-ME** 6.6 LPM Chrome

- 113cm Faceplate
- Rubber nozzles for easy cleaning
- Fixed mount: plastic ball joint
- Removable faceplate technology
- All chrome

### SPECIFICATIONS

**Body:** Chrome-plated ABS plastic

\*Technical Drawing: pg 101



**HEALTHGUARD™ HANDHELD SHOWERHEAD** *With Wall-Mounted Bracket*

**N9917CH-HH-ME** 6.6 LPM Chrome

- All Chrome Faceplate: 110mm with faceplate removable technology
- 183cm SUS201 Electrolytic hose and nuts
- Rubber nozzles
- Swivel free feature and back flow preventer
- Fixed mount with brass ball joint

**SPECIFICATIONS**

**Body:** Chrome-plated ABS plastic  
**Hose:** Stainless steel-wrapped PVC

*\*Technical Drawing: pg 101*



**8" RAIN SHOWER**

**V0200** 6.6 LPM

- 200mm Faceplate
- Powerful spray provides more water at low pressure
- Wide, full-body spray pattern provides soothing rain shower experience
- Plastic ball joint

**SPECIFICATIONS**

**Materials:** Chrome Body  
**Packaging:** Carton

*\*Technical Drawing: pg 101*



**HEALTHGUARD™ SHOWER/ FIXED MOUNT COMBO** *With 3-Way Diverter*

**N9917CH-CB-ME** 6.6 LPM Chrome

- 183cm SUS201 Electrolytic Hose And Nuts
- All Chrome Faceplate W0604 110mm, V0604113mm With Faceplate Removable Technology
- Rubber Nozzles
- Swivel Free Feature And Back Flow Preventer
- Fixed Mount With Brass Ball Joint

**SPECIFICATIONS**

**Body:** Chrome-plated ABS plastic  
**Hose:** Stainless steel-wrapped PVC

*\*Technical Drawing: pg 101*



**RAIN SHOWER**

**NRS7120** 6.5 LPM *Other Options Available*

- 250 mm Faceplate
- Wide, full-body spray pattern provides soothing rain shower experience
- Plastic ball joint
- Also available in the following flow rates: 9.5 LPM, 8.5 LPM, 7.6 LPM

**SPECIFICATIONS**

**Materials:** Chrome Body, Stainless Steel Back  
**Packaging:** Carton

*\*Technical Drawing: pg 101*



**RAIN SHOWER**

**NRS7112** 6.5 LPM *Other Options Available*

- 150 x 200 mm Faceplate
- Wide, full-body spray pattern provides soothing rain shower experience
- Plastic ball joint
- Also available in the following flow rates: 9.5 LPM, 8.5 LPM, 7.6 LPM

**SPECIFICATIONS**

**Materials:** Chrome Body, Stainless Steel Back  
**Packaging:** Carton

*\*Technical Drawing: pg 101*



## RAIN SHOWER

**NRS7184** 6.5 LPM *Other Options Available*

- 8" Faceplate
- Wide, full-body spray pattern provides soothing rain shower experience
- Plastic ball joint
- Also available in the following flow rates: 9.5 LPM, 8.5 LPM, 7.6 LPM

### SPECIFICATIONS

**Materials:** Chrome Back, Gray Faceplate

**Packaging:** Carton

*\*Technical Drawing: pg 101*



## RAIN SHOWER

**NRS7131** 6.5 LPM *Other Options Available*

- 8" Faceplate
- Wide, full-body spray pattern provides soothing rain shower experience
- Plastic ball joint
- Also available in the following flow rates: 9.5 LPM, 8.5 LPM, 7.6 LPM

### SPECIFICATIONS

**Materials:** Chrome Body, Stainless Steel Back

**Packaging:** Carton

*\*Technical Drawing: pg 102*



## RAIN SHOWER

**NRS7123** 6.5 LPM *Other Options Available*

- Wide, full-body spray pattern provides soothing rain shower experience
- Plastic ball joint
- Also available in the following flow rates: 9.5 LPM, 8.5 LPM, 7.6 LPM

### SPECIFICATIONS

**Materials:** Chrome Back, Gray Faceplate

**Packaging:** Carton

*\*Technical Drawing: pg 102*



## RAIN SHOWER

**NRS7127** 6.5 LPM *Other Options Available*

- Wide, full-body spray pattern provides soothing rain shower experience
- Plastic ball joint
- Also available in the following flow rates: 9.5 LPM, 8.5 LPM, 7.6 LPM

### SPECIFICATIONS

**Materials:** Chrome Back, Gray Faceplate

**Packaging:** Carton

*\*Technical Drawing: pg 102*



## RAIN SHOWER

**NRS7103** 6.5 LPM *Other Options Available*

- 8" Faceplate
- Wide, full-body spray pattern provides soothing rain shower experience
- Brass ball joint
- Also available in the following flow rates: 9.5 LPM, 8.5 LPM, 7.6 LPM

### SPECIFICATIONS

**Materials:** Chrome Back, Gray Faceplate

**Packaging:** Carton

*\*Technical Drawing: pg 102*



## 1 FUNCTION HAND SHOWER

*With Wall-Mounted Bracket*

**W0700 + BRACKET + HOSE** 6.6 LPM

- Grey Faceplate: 96mm
- 183cm SUS201 electrolytic hose and nuts
- Rubber nozzles
- Swivel free feature and back flow preventer

### SPECIFICATIONS

**Materials:** Chrome Body

**Packaging:** Carton

*\*Technical Drawing: pg 102*



### 3 FUNCTION HAND SHOWER With Wall-Mounted Bracket

**W0701 + BRACKET + HOSE** 6.6 LPM

- Grey Faceplate: 96mm
- 183cm SUS201 electrolytic hose and nuts
- Rubber nozzles
- Swivel free feature and back flow preventer

#### SPECIFICATIONS

**Materials:** Chrome Body

**Packaging:** Carton

\*Technical Drawing: pg 102



### SLIDING RAIL

**NSB9103** 700mm Height

**NSB9103A** 900mm Height

**NSB9103B** 600mm Height

- 19mm Diameter
- Stainless Steel; Chrome Plated
- Wall Bracket & Shower Holder Material: ABS, Chrome Plated
- The Holder Of Hand Shower Can Slide Up And Down With A 360° Swivel

\*Technical Drawing: pg 103



### 5 FUNCTION HAND SHOWER With 3-Flow Rate Selector And Wall-Mounted Bracket

**W0800 + BRACKET + HOSE** 6.6 LPM

- 183cm SUS201 electrolytic hose and nuts
- Grey Faceplate: 96mm
- Rubber nozzles
- Swivel free feature and back flow preventer

#### SPECIFICATIONS

**Materials:** Chrome Body

**Packaging:** Carton

\*Technical Drawing: pg 102



### SLIDING RAIL

**NSB9122** 700mm Height

**NSB9122A** 900mm Height

**NSB9122B** 600mm Height

- 22mm Diameter
- Stainless Steel; Chrome Plated
- Wall Bracket & Shower Holder Material: ABS, Chrome Plated
- The Holder Of Hand Shower Can Slide Up And Down With A 360° Swivel

\*Technical Drawing: pg 103



### 5 FUNCTION HAND SHOWER With 3 Flow Rate Selector And Wall-Mounted Bracket

**W0400 + BRACKET + HOSE** 6.6 LPM

- 183cm SUS201 electrolytic hose and nuts
- All Chrome Faceplate: 0110mm with faceplate removable technology
- Rubber nozzles
- Swivel free feature and back flow preventer
- Fixed mount with brass ball joint

#### SPECIFICATIONS

**Materials:** Chrome Body

**Packaging:** Carton

\*Technical Drawing: pg 102



### SLIDING RAIL

**NSB9128** 700mm Height

**NSB9128A** 900mm Height

**NSB9128B** 600mm Height

- 25mm Diameter
- Stainless Steel; Chrome Plated
- Wall Bracket & Shower Holder Material: ABS, Chrome Plated
- The Holder Of Hand Shower Can Slide Up And Down With A 360° Swivel

\*Technical Drawing: pg 103



# NIAGARA MIDDLE EAST SHOWER TRAYS



## SQUARE SHOWER TRAY

**N2372** Above Tile Installation (800 x 800mm)

**N2377** Above Tile Installation (900 x 900mm)

### Available Sizes:

- 800 x 800mm
- 900 x 900mm

### SPECIFICATIONS

Non-slip grid pattern

**Packaging:** Carton

\*Technical Drawing: pg 104

### MATERIALS

Glass Fiber Reinforced Acrylic - White finish  
(Available as Fiber Glass)



## CORNER SHOWER TRAY

**N2376-Q** Above Tile Installation

### Available Sizes:

- 800 x 800mm
- Above tile installation

### SPECIFICATIONS

Non-slip grid pattern

**Packaging:** Carton

\*Technical Drawing: pg 104

### MATERIALS

Glass Fiber Reinforced Acrylic - White finish  
(Available as Fiber Glass)

## SHOWER TRAY

**N23S79** Under Tile Installation

### SQUARE TRAY Available Sizes:

- 700 x 700mm
- 800 x 800mm
- 900 x 900mm

### RECTANGLE TRAY Available Sizes:

- 1000 x 800mm
- 1200 x 800mm
- 1300 x 750mm
- 1400 x 750mm

### SPECIFICATIONS

**Packaging:** Carton

### MATERIALS

Glass Fiber Reinforced Acrylic - White finish  
(Available as Fiber Glass)



## SHOWER TRAY

**N23S77** Under Tile Installation

### SQUARE TRAY Available Sizes:

- 700 x 700mm
- 800 x 800mm
- 900 x 900mm

### RECTANGLE TRAY Available Sizes:

- 1000 x 800mm
- 1200 x 800mm
- 1300 x 750mm
- 1400 x 750mm

### SPECIFICATIONS

**Packaging:** Carton

### MATERIALS

Glass Fiber Reinforced Acrylic - White finish  
(Available as Fiber Glass)



## CORNER SHOWER TRAY

**N23S78** Under Tile Installation

### Available Sizes:

- 700 x 700mm
- 800 x 800mm
- 900 x 900mm
- Under tile installation

### SPECIFICATIONS

**Packaging:** Carton

### MATERIALS

Glass Fiber Reinforced Acrylic - White finish  
(Available as Fiber Glass)

## AUTOMATIC SHOWER DRAIN

**N2372-DR**

### SPECIFICATIONS

**Packaging:** Carton

\*Technical Drawing: pg 104

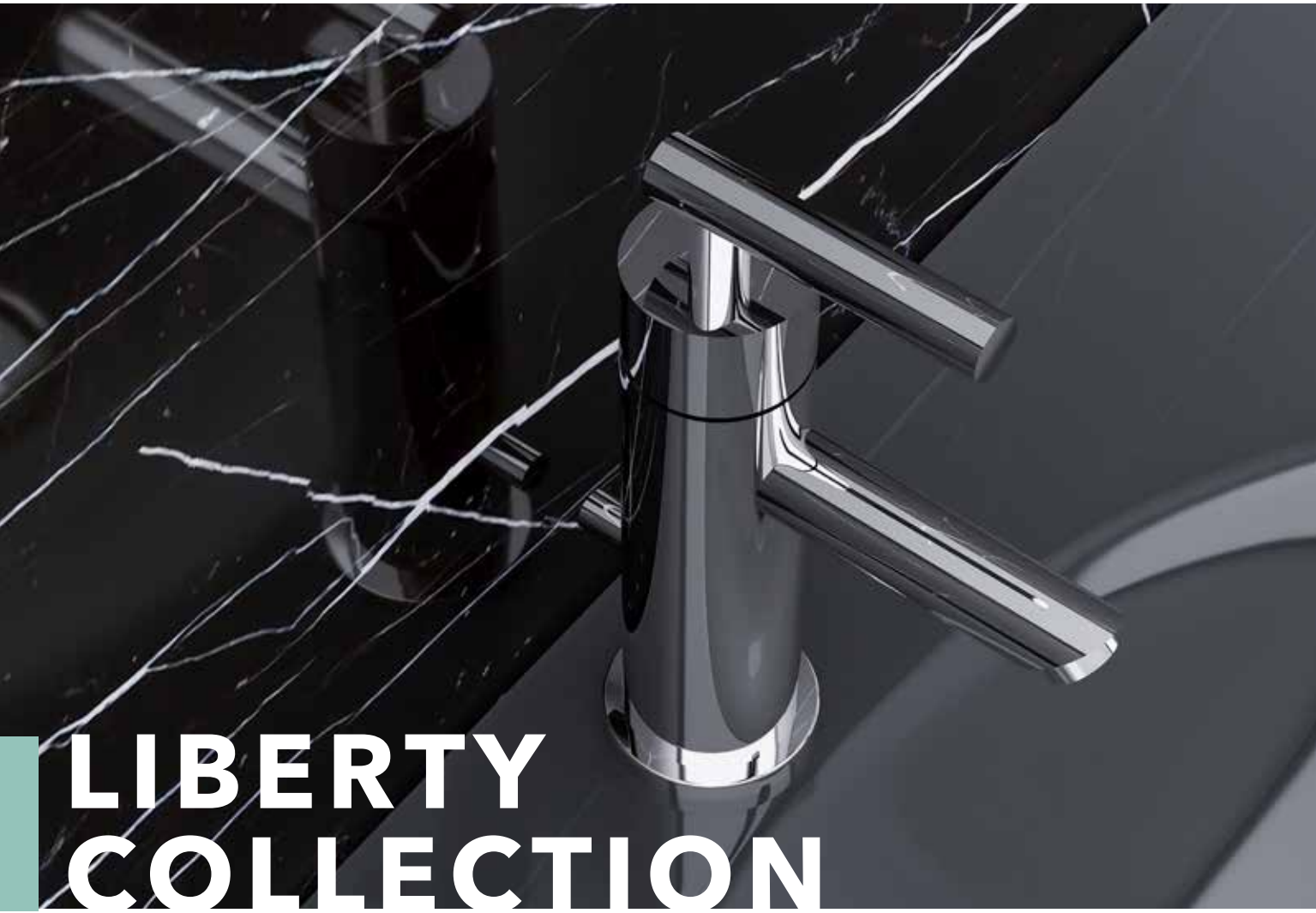
### MATERIALS

Chrome-plated





**NIAGARA  
MIDDLE EAST  
FAUCETS AND TAPS**



# LIBERTY COLLECTION



## LIBERTY BIDET FAUCET With Automatic Pop-Up Waste

**NM65006** 6.0 LPM

- Single lever basin faucet
- Single hole installation
- Ceramic cartridge (Ø 35mm)
- Swivel adapter
- Metal handle
- Automatic pop-up waste
- Flexible connection hoses
- Water connection 1/2"

**SPECIFICATIONS**

**Materials:** Chrome Body  
**Packaging:** Carton

**Height:** 192mm  
**Nozzle Height:** 61mm

*\*Technical Drawing: pg 104*



## LIBERTY BATH-SHOWER FAUCET With Shower Kit

**NM65055** 6.0 LPM

- Single lever bath faucet
- Wall mounted
- Without duplex shower set
- Adjustable flow rate limiter
- Ceramic cartridge (Ø 35mm)
- Shower outlet 1/2"
- Automatic diverter: bath/shower
- Water inlet 1/2"

**SPECIFICATIONS**

**Materials:** Chrome Body  
**Packaging:** Carton

*\*Technical Drawing: pg 105*



## LIBERTY WALL-MOUNTED SHOWER FAUCET

**NM65056** 6.0 LPM

- Single lever bath faucet
- Wall mounted
- With duplex shower set
- Adjustable flow rate limiter
- Ceramic cartridge (Ø 35mm)
- Shower outlet 1/2"
- Water inlet 1/2"

**SPECIFICATIONS**

**Materials:** Chrome Body  
**Packaging:** Carton

*\*Technical Drawing: pg 105*



## LIBERTY WASH BASIN With Automatic Pop-Up Waste

**NM65005** 6.0 LPM

- Single lever basin faucet
- Single hole installation
- Ceramic cartridge (Ø 35mm)
- Chrome plated brass
- Metal handle
- Automatic pop-up waste
- Flexible connection hoses
- Water connection 1/2"

**SPECIFICATIONS**

**Materials:** Chrome Body  
**Packaging:** Carton

**Height:** 219mm  
**Nozzle Height:** 104mm

*\*Technical Drawing: pg 104*



## LIBERTY CONCEALED SHOWER FAUCET *Without Diverter*

### NM65001

- Single lever shower faucet
- Wall mounted
- Without diverter
- Set for complete installation
- Metal handle
- Flat installation
- Flexible connection hoses
- All connections are indicated by inlet/outlet markings

#### SPECIFICATIONS

**Materials:** Chrome Body \*Technical Drawing: pg 105

**Packaging:** Carton



## LIBERTY CONCEALED SHOWER FAUCET *With Diverter*

### NM65000

- Single lever shower faucet
- Wall mounted
- With diverter
- Set for complete installation
- Metal handle
- Flat installation
- All connections are indicated by inlet/outlet markings

#### SPECIFICATIONS

**Materials:** Chrome Body \*Technical Drawing: pg 105

**Packaging:** Carton



## LIBERTY KITCHEN FAUCET

### NM65023 6.0 LPM

- Single lever kitchen faucet
- Single hole installation
- Ceramic cartridge (Ø 35mm)
- Swivel spout
- Metal handle
- Swivel area 140°
- Flexible connection hoses
- Water connection 1/2"

#### SPECIFICATIONS

**Materials:** Chrome Body

**Packaging:** Carton

**Height:** 293mm

**Nozzle Height:** 120mm

\*Technical Drawing: pg 105



# MIAMI COLLECTION



## MIAMI WASHBASIN FAUCET *With Automatic Pop-Up Waste*

### NM64005 6.0 LPM

- Single lever basin faucet
- Single hole installation
- Ceramic cartridge (Ø 25mm)
- Chrome plated brass
- Metal handle
- Automatic pop-up waste
- Flexible connection hoses
- Water connection 1/2"

#### SPECIFICATIONS

**Materials:** Chrome Body

**Packaging:** Carton

**Height:** 158.5mm

**Nozzle Height:** 110mm

\*Technical Drawing: pg 106



## MIAMI HIGH WASHBASIN FAUCET With Automatic Pop-Up Waste

**NM64009** 6.0 LPM

- Single lever high basin faucet
- Single hole installation
- Ceramic cartridge (Ø 25mm)
- Chrome plated brass
- Metal handle
- Automatic pop-up waste
- Flexible connection hoses
- Water connection 1/2"

### SPECIFICATIONS

**Materials:** Chrome Body

**Packaging:** Carton

**Height:** 243.5mm

**Nozzle Height:** 195mm

*\*Technical Drawing: pg 106*



## MIAMI BIDET FAUCET With Automatic Pop-Up Waste

**NM64006** 6.0 LPM

- Single lever bidet faucet
- Single hole installation
- Ceramic cartridge (Ø 25mm)
- Swivel adapter
- Metal handle
- Automatic pop-up waste
- Flexible connection hoses
- Water connection 1/2"

### SPECIFICATIONS

**Materials:** Chrome Body

**Packaging:** Carton

*\*Technical Drawing: pg 106*



## MIAMI BATH-SHOWER FAUCET With Shower Kit

**NM64055** 6.0 LPM

- Single lever bath faucet
- Wall mounted
- Without duplex shower set
- Adjustable flow rate limiter
- Ceramic cartridge (Ø 25mm)
- Shower outlet 1/2"
- Automatic diverter: bath/shower
- Water inlet 1/2"

### SPECIFICATIONS

**Materials:** Chrome Body *\*Technical Drawing: pg 106*

**Packaging:** Carton



## MIAMI WALL-MOUNTED SHOWER FAUCET

**NM64056** 6.0 LPM

- Single lever bath faucet
- Wall mounted
- With duplex shower set
- Adjustable flow rate limiter
- Ceramic cartridge (Ø 25mm)
- Shower outlet 1/2"
- Automatic diverter: bath/shower
- Water inlet 1/2"

### SPECIFICATIONS

**Materials:** Chrome Body *\*Technical Drawing: pg 106*

**Packaging:** Carton



## MIAMI CONCEALED SHOWER FAUCET Without Diverter

**NM64001**

- Single lever shower faucet
- Wall mounted
- Without diverter
- Set for complete installation
- Metal handle
- Flat installation
- All connections are indicated by inlet/outlet markings

### SPECIFICATIONS

**Materials:** Chrome Body

**Packaging:** Carton

*\*Technical Drawing: pg 106*



## MIAMI CONCEALED SHOWER FAUCET *With Diverter*

**NM64000**

- Single lever shower faucet
- Wall mounted
- With diverter
- Set for complete installation
- Metal handle
- Flat installation
- All connections are indicated by inlet/outlet markings

### SPECIFICATIONS

**Materials:** Chrome Body \**Technical Drawing: pg 107*

**Packaging:** Carton



## MIAMI KITCHEN FAUCET

**NM64023** 6.0 LPM

- Single lever kitchen faucet
- Single hole installation
- Ceramic cartridge (Ø 25mm)
- Swivel spout
- Metal handle
- Swivel area 140°
- Flexible connection hose
- Water connection 1/2"

### SPECIFICATIONS

**Materials:** Chrome Body

**Packaging:** Carton

**Height:** 380mm

**Nozzle Height:** 295.5mm

\**Technical Drawing: pg 107*



MANHATTAN  
COLLECTION

## MANHATTAN WASHBASIN FAUCET *With Automatic Pop-Up Waste*

**NM63005** 6.0 LPM

- Single lever basin faucet
- Single hole installation
- Ceramic cartridge (Ø 35mm)
- Chrome plated brass
- Metal handle
- Automatic pop-up waste
- Flexible connection hoses
- Water connection 1/2"

### SPECIFICATIONS

**Materials:** Chrome Body

**Packaging:** Carton

**Height:** 172mm

**Nozzle Height:** 120mm

\**Technical Drawing: pg 107*



Smart design for an upscale life.



## MANHATTAN HIGH WASHBASIN FAUCET *With Automatic Pop-Up Waste*

**NM63009** 6.0 LPM

- Single lever high basin faucet
- Single hole installation
- Ceramic cartridge (Ø 35mm)
- Chrome plated brass
- Metal handle
- Automatic pop-up waste
- Flexible connection hoses
- Water connection 1/2"

### SPECIFICATIONS

**Materials:** Chrome Body

**Packaging:** Carton

**Height:** 270mm

**Nozzle Height:** 215mm

*\*Technical Drawing: pg 107*



## MANHATTAN BIDET FAUCET *With Automatic Pop-Up Waste*

**NM63006** 6.0 LPM

- Single lever bidet faucet
- Single hole installation
- Ceramic cartridge (Ø 35mm)
- Swivel adapter
- Metal handle
- Automatic pop-up waste
- Flexible connection hoses
- Water connection 1/2"

### SPECIFICATIONS

**Materials:** Chrome Body

**Packaging:** Carton

**Height:** 119mm

**Nozzle Height:** 68mm

*\*Technical Drawing: pg 107*



## MANHATTAN WALL-MOUNTED SHOWER FAUCET

**NM63056** 6.0 LPM

- Single lever bath faucet
- Wall mounted
- With duplex shower set
- Adjustable flow rate limiter
- Ceramic cartridge (Ø 35mm)
- Shower outlet 1/2"
- Water inlet 1/2"

### SPECIFICATIONS

**Materials:** Chrome Body

*\*Technical Drawing: pg 108*

**Packaging:** Carton



## MANHATTAN CONCEALED SHOWER FAUCET *Without Diverter*

**NM63001**

- Single lever shower faucet
- Wall mounted
- Without diverter
- Set for complete installation
- Metal handle
- Flat installation
- All connections are indicated by inlet/outlet markings

### SPECIFICATIONS

**Materials:** Chrome Body

*\*Technical Drawing: pg 108*

**Packaging:** Carton



## MANHATTAN BATH-SHOWER FAUCET *With Shower Kit*

**NM63055** 6.0 LPM

- Single lever bath faucet
- Wall mounted
- Without duplex shower set
- Adjustable flow rate limiter
- Ceramic cartridge (Ø 35mm)
- Shower outlet 1/2"
- Automatic diverter: bath/shower
- Water inlet 1/2"

### SPECIFICATIONS

**Materials:** Chrome Body

*\*Technical Drawing: pg 108*

**Packaging:** Carton



## MANHATTAN CONCEALED SHOWER FAUCET *With Diverter*

**NM63000**

- Single lever shower faucet
- Wall mounted
- With diverter
- Set for complete installation
- Metal handle
- Flat installation
- All connections are indicated by inlet/outlet markings

### SPECIFICATIONS

**Materials:** Chrome Body

*\*Technical Drawing: pg 108*

**Packaging:** Carton



# SANTA MONICA COLLECTION



## SANTA MONICA WASHBASIN FAUCET With Automatic Pop-Up Waste

**NM62005** 6.0 LPM

- Single lever basin faucet
- Single hole installation
- Ceramic cartridge (Ø 35mm)
- Chrome plated brass
- Metal handle
- Automatic pop-up waste
- Flexible connection hoses
- Water connection 1/2"

### SPECIFICATIONS

**Materials:** Chrome Body  
**Packaging:** Carton

**Height:** 160mm  
**Nozzle Height:** 92mm

\*Technical Drawing: pg 108



## SANTA MONICA BIDET FAUCET With Automatic Pop-Up Waste

**NM62006** 6.0 LPM

- Single lever bidet faucet
- Single hole installation
- Ceramic cartridge (Ø 35mm)
- Swivel adapter
- Metal handle
- Automatic pop-up waste
- Flexible connection hoses
- Water connection 1/2"

### SPECIFICATIONS

**Materials:** Chrome Body  
**Packaging:** Carton

**Height:** 160mm  
**Nozzle Height:** 108mm

\*Technical Drawing: pg 108



## SANTA MONICA BATH-SHOWER FAUCET With Shower Kit

**NM62055** 6.0 LPM

- Single lever bath faucet
- Wall mounted
- Without duplex shower set
- Adjustable flow rate limiter
- Ceramic cartridge (Ø 35mm)
- Shower outlet 1/2"
- Automatic diverter: bath/shower
- Water inlet 1/2"

### SPECIFICATIONS

**Materials:** Chrome Body  
**Packaging:** Carton

\*Technical Drawing: pg 109



## SANTA MONICA WALL-MOUNTED SHOWER FAUCET

**NM62056** 6.0 LPM

- Single lever bath faucet
- Wall mounted
- With duplex shower set
- Adjustable flow rate limiter
- Ceramic cartridge (Ø 35mm)
- Shower outlet 1/2"
- Water inlet 1/2"

### SPECIFICATIONS

**Materials:** Chrome Body  
**Packaging:** Carton

\*Technical Drawing: pg 109



## SANTA MONICA CONCEALED SHOWER FAUCET *Without Diverter*

### NM62001

- Single lever shower faucet
- Wall mounted
- Without diverter
- Set for complete installation
- Metal handle
- Flat installation
- All connections are indicated by inlet/outlet markings

### SPECIFICATIONS

**Materials:** Chrome Body

*\*Technical Drawing: pg 109*

**Packaging:** Carton



# GOLDEN GATE COLLECTION



## SANTA MONICA KITCHEN FAUCET

### NM62023 6.0 LPM

- Single lever kitchen faucet
- Single hole installation
- Ceramic cartridge (Ø 35mm)
- Swivel spout
- Metal handle
- Swivel area 140°
- Flexible connection hoses
- Water connection 1/2"

### SPECIFICATIONS

**Materials:** Chrome Body

**Height:** 341mm

**Packaging:** Carton

**Nozzle Height:** 262mm

**Spout Reach:** 166mm

*\*Technical Drawing: pg 109*



## GOLDEN GATE WASHBASIN FAUCET *With Automatic Pop-Up Waste*

### NM61005 6.0 LPM

- Single lever basin faucet
- Single hole installation
- Ceramic cartridge (Ø 35mm)
- Chrome plated brass
- Metal handle
- Automatic pop-up waste
- Flexible connection hoses
- Water connection 1/2"

### SPECIFICATIONS

**Materials:** Chrome Body

**Height:** 142mm

**Packaging:** Carton

**Nozzle Height:** 84mm

*\*Technical Drawing: pg 109*



## GOLDEN GATE BIDET FAUCET

*With Automatic Pop-Up Waste*

**NM61006** 6.0 LPM

- Single lever bidet faucet
- Single hole installation
- Ceramic cartridge (Ø 35mm)
- Swivel adapter
- Metal handle
- Automatic pop-up waste
- Flexible connection hoses
- Water connection 1/2"

### SPECIFICATIONS

**Materials:** Chrome Body

**Height:** 143mm

**Packaging:** Carton

**Nozzle Height:** 88.5mm

*\*Technical Drawing: pg 109*



## GOLDEN GATE WALL-MOUNTED FAUCET

**NM61056** 6.0 LPM

- Single lever bath faucet
- Wall mounted
- Flat wall installation
- Adjustable flow rate limiter
- Ceramic cartridge (Ø 35mm)
- Shower outlet 1/2"
- Water inlet 1/2"

### SPECIFICATIONS

**Materials:** Chrome Body

*\*Technical Drawing: pg 110*

**Packaging:** Carton



## GOLDEN GATE BATH-SHOWER FAUCET

*With Shower Kit*

**NM61055** 6.0 LPM

- Single lever bath faucet
- Wall mounted
- Flat wall installation
- Adjustable flow rate limiter
- Ceramic cartridge (Ø 35mm)
- Shower outlet 1/2"
- Automatic diverter: bath/shower
- Water inlet 1/2"

### SPECIFICATIONS

**Materials:** Chrome Body

*\*Technical Drawing: pg 110*

**Packaging:** Carton



## GOLDEN GATE CONCEALED SHOWER FAUCET

*Without Diverter*

**NM61001**

- Single lever shower faucet
- Wall mounted
- Without diverter
- Set for complete installation
- Metal handle
- Flat installation
- All connections are indicated by inlet/outlet markings

### SPECIFICATIONS

**Materials:** Chrome Body

*\*Technical Drawing: pg 110*

**Packaging:** Carton



## GOLDEN GATE KITCHEN LATERAL FAUCET

**NM61023** 6.0 LPM

- Single lever kitchen faucet
- Single hole installation
- Ceramic cartridge (Ø 35mm)
- Swivel spout
- Metal handle
- Swivel area 140°
- Flexible connection hoses
- Water connection 1/2"

### SPECIFICATIONS

**Materials:** Chrome Body

**Height:** 287.5mm

**Packaging:** Carton

**Nozzle Height:** 200mm

*\*Technical Drawing: pg 110*

**Spout Reach:** 167mm



## GOLDEN GATE KITCHEN FAUCET

**NM61024** 6.0 LPM

- Single lever kitchen faucet
- Wall mounted
- Ceramic cartridge (Ø 35mm)
- Swivel spout
- Metal handle
- Swivel area 140°
- Flexible connection hoses
- Water connection 1/2"

### SPECIFICATIONS

**Materials:** Chrome Body

**Spout Reach:** 200mm

**Packaging:** Carton

*\*Technical Drawing: pg 110*



# NIAGARA MIDDLE EAST ACCESSORIES

## LIBERTY COLLECTION



### LIBERTY SINGLE HOOK GARMENT HANGER

**NE6402**

- Single robe hook
- Wall fixing
- Includes fixing set

**SPECIFICATIONS**

**Materials:** Brass **Finish:** Chrome **Packaging:** Carton

*\*Technical Drawing: pg 111*



### LIBERTY ROUND GLASS SOAP DISH

**NE6403**

- Glass soap dish
- Wall fixing
- Includes fixing set

**SPECIFICATIONS**

**Materials:** Brass **Finish:** Chrome **Packaging:** Carton

*\*Technical Drawing: pg 111*



### LIBERTY GLASS TOOTHBRUSH HOLDER

**NE6404**

- Glass cup
- Wall fixing
- Includes fixing set

**SPECIFICATIONS**

**Materials:** Brass **Finish:** Chrome **Packaging:** Carton

*\*Technical Drawing: pg 111*

## LIBERTY CHROME PLATED TOWEL BAR

### NE6405

- Size: 600mm (23.6")
- Wall fixing
- Includes fixing set

#### SPECIFICATIONS

**Materials:** Brass **Finish:** Chrome **Packaging:** Carton

*\*Technical Drawing: pg 111*



## LIBERTY TOILET TISSUE HOLDER

### NE6407

- Without cover
- Wall fixing
- Includes fixing set

#### SPECIFICATIONS

**Materials:** Brass **Finish:** Chrome **Packaging:** Carton

*\*Technical Drawing: pg 111*



## LIBERTY CHROME-SLOTTED SOAP BASKET

### NE6410

- Wall fixing
- Includes fixing set

#### SPECIFICATIONS

**Materials:** Brass **Finish:** Chrome **Packaging:** Carton

*\*Technical Drawing: pg 111*



## MANHATTAN CHROME DOUBLE HOOK GARMENT HANGER

### NE6301

- Double robe hook
- Wall fixing
- Includes fixing set

#### SPECIFICATIONS

**Materials:** Brass **Finish:** Chrome **Packaging:** Carton

*\*Technical Drawing: pg 112*



## MANHATTAN ROUND GLASS SOAP DISH

### NE6303

- Glass Soap Dish
- Wall Mounted
- Includes Mounting Set

#### SPECIFICATIONS

**Materials:** Brass **Finish:** Chrome **Packaging:** Carton

*\*Technical Drawing: pg 112*



## MANHATTAN GLASS TOOTHBRUSH HOLDER

### NE6304

- Glass cup
- Wall fixing
- Includes fixing set

#### SPECIFICATIONS

**Materials:** Brass **Finish:** Chrome **Packaging:** Carton

*\*Technical Drawing: pg 112*



## MANHATTAN TOWEL BAR

### NE6305

- Size: 600mm (23.6")
- Wall fixing
- Includes fixing set

#### SPECIFICATIONS

**Materials:** Brass **Finish:** Chrome **Packaging:** Carton

*\*Technical Drawing: pg 112*





MANHATTAN TOILET  
TISSUE HOLDER

**NE6307**

- Without cover
- Wall fixing
- Includes fixing set

**SPECIFICATIONS**

**Materials:** Brass **Finish:** Chrome **Packaging:** Carton

*\*Technical Drawing: pg 112*



SANTA MONICA SINGLE HOOK  
GARMENT HANGER

**NE6202**

- Single robe hook
- Wall fixing
- Includes fixing set

**SPECIFICATIONS**

**Materials:** Brass **Finish:** Chrome **Packaging:** Carton

*\*Technical Drawing: pg 113*



MANHATTAN TOWEL RING

**NE6312**

- Wall fixing
- Includes fixing set

**SPECIFICATIONS**

**Materials:** Brass **Finish:** Chrome **Packaging:** Carton

*\*Technical Drawing: pg 112*



SANTA MONICA ROUND GLASS  
SOAP DISH

**NE6203**

- Glass soap dish
- Wall fixing
- Includes fixing set

**SPECIFICATIONS**

**Materials:** Brass **Finish:** Chrome **Packaging:** Carton

*\*Technical Drawing: pg 113*



MANHATTAN CHROME-SLOTTED  
SOAP DISH

**NE6310**

- Metal soap dish
- Wall fixing
- Includes fixing set

**SPECIFICATIONS**

**Materials:** Brass **Finish:** Chrome **Packaging:** Carton

*\*Technical Drawing: pg 112*



SANTA MONICA GLASS  
TOOTHBRUSH HOLDER

**NE6204**

- Glass cup
- Wall fixing
- Includes fixing set

**SPECIFICATIONS**

**Materials:** Brass **Finish:** Chrome **Packaging:** Carton

*\*Technical Drawing: pg 113*



**SANTA MONICA TOWEL BAR**

**NE6205**

- Size: 600mm (23.6")
- Wall fixing
- Includes fixing set

**SPECIFICATIONS**

**Materials:** Brass **Finish:** Chrome **Packaging:** Carton

*\*Technical Drawing: pg 113*



**SANTA MONICA TOILET TISSUE HOLDER**

**NE6207**

- Without cover
- Wall fixing
- Includes fixing set

**SPECIFICATIONS**

**Materials:** Brass **Finish:** Chrome **Packaging:** Carton

*\*Technical Drawing: pg 113*



**SANTA MONICA CHROME SLOTTED SOAP DISH**

**NE6210**

- Wall fixing
- Includes fixing set

**SPECIFICATIONS**

**Materials:** Brass **Finish:** Chrome **Packaging:** Carton

*\*Technical Drawing: pg 113*



**GOLDEN GATE DUAL HOOK GARMENT HANGER**

**NE6101**

- Double robe hook
- Wall fixing
- Includes fixing set

**SPECIFICATIONS**

**Materials:** Brass **Finish:** Chrome **Packaging:** Carton

*\*Technical Drawing: pg 114*



**GOLDEN GATE ROUND GLASS SOAP DISH**

**NE6103**

- Glass soap dish
- Wall fixing
- Includes fixing set

**SPECIFICATIONS**

**Materials:** Brass **Finish:** Chrome **Packaging:** Carton

*\*Technical Drawing: pg 114*



**GOLDEN GATE GLASS TOOTHBRUSH HOLDER**

**NE6104**

- Glass cup
- Wall fixing
- Includes fixing set

**SPECIFICATIONS**

**Materials:** Brass **Finish:** Chrome **Packaging:** Carton

*\*Technical Drawing: pg 114*



## GOLDEN GATE TOWEL BAR

### NE6105

- Size: 600mm (23.6")
- Wall fixing
- Includes fixing set

#### SPECIFICATIONS

**Materials:** Brass **Finish:** Chrome **Packaging:** Carton

*\*Technical Drawing: pg 114*



## GOLDEN GATE TOILET TISSUE HOLDER WITH CHROME COVER

### NE6107

- With cover
- Wall fixing
- Includes fixing set

#### SPECIFICATIONS

**Materials:** Brass **Finish:** Chrome **Packaging:** Carton

*\*Technical Drawing: pg 114*



## GOLDEN GATE ROUND HAND TOWEL HOLDER

### NE6112

- Wall fixing
- Includes fixing set

#### SPECIFICATIONS

**Materials:** Brass **Finish:** Chrome **Packaging:** Carton

*\*Technical Drawing: pg 114*



## GOLDEN GATE CHROME SLOTTED SOAP DISH

### NE6110

- Metal soap dish
- Wall fixing
- Includes fixing set

#### SPECIFICATIONS

**Materials:** Brass **Finish:** Chrome **Packaging:** Carton

*\*Technical Drawing: pg 115*



## GOLDEN GATE CHROME DOUBLE TOILET TISSUE HOLDER

### NE6118

- Double roll holder
- Wall fixing
- Includes fixing set

#### SPECIFICATIONS

**Materials:** Brass **Finish:** Chrome **Packaging:** Carton

*\*Technical Drawing: pg 115*



## GOLDEN GATE VERTICAL TOILET TISSUE HOLDER

### NE6106

- Wall fixing
- Includes fixing set

#### SPECIFICATIONS

**Materials:** Brass **Finish:** Chrome **Packaging:** Carton

*\*Technical Drawing: pg 115*



## GOLDEN GATE HORIZONTAL GRAB BAR

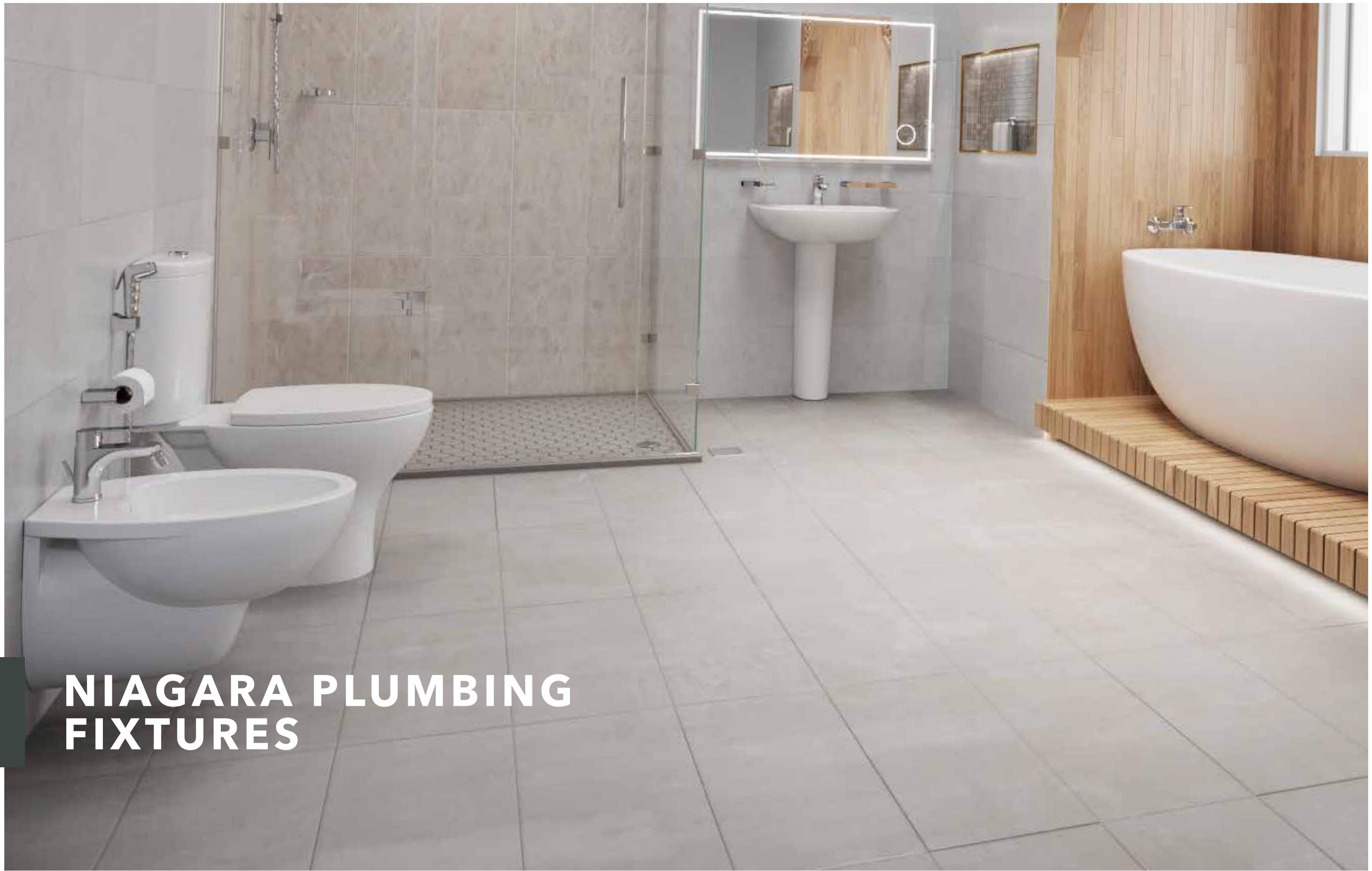
### NE6125

- Size: 190mm (7.48")
- Wall fixing
- Includes fixing set

#### SPECIFICATIONS

**Materials:** Brass **Finish:** Chrome **Packaging:** Carton

*\*Technical Drawing: pg 115*



**NIAGARA PLUMBING  
FIXTURES**



## SUPER FAUCET

**N3421-NCC** 5.7 LPM

- Single operating valve control for use with one hand
- Needle spray consists of (18) holes each 0.9 - 1.0 mm
- Water flow is a symmetrical, conical pattern
- Tamperproof aerator body is only accessible with special key. (Also Available with Standard Dual Threads Aerator)
- Consists of faucet body, tamperproof handle, and all internal parts necessary for operation & tamperproof aerator
- 5-year warranty against any manufacturing related defects

### SPECIFICATIONS

**Faucet Body:** Chrome-plated brass

**Handle:** Chrome-plated zinc die casting

**Faucet Internal Parts:** Brass, stainless steel, and high heat rubber o-rings and plastic gaskets

**Aerator Body:** Chrome-plated brass

**Aerator Internal Parts:** High heat rubber gaskets and flow compensator

*\*Technical Drawing: pg 115*



## P-TRAP

**N2387**

- Maximum Operating Pressure: 860 kPa (125psi)
- Rated Temperature: 5 to 71°C (40 to 160°F)
- 5-Year warranty against manufacturing-related defects

### SPECIFICATIONS

**Material:** Chrome-Plated Solid Brass

*\*Technical Drawing: pg 116*



## BOTTLE TRAP

**N2386**

- Maximum Operating Pressure: 860 kPa (125psi)
- Rated Temperature: 5 to 71°C (40 to 160°F)
- 5-Year Warranty Against Manufacturing-Related Defects

### SPECIFICATIONS

**Material:** Chrome-Plated Solid Brass

*\*Technical Drawing: pg 116*



## COPPER SUPPLY TUBE

**N2388-400** Copper Supply Tube 400mm

*Special Order:*

**N2388-300** Copper Supply Tube 300mm

**N2388-500** Copper Supply Tube 500mm

**N2388-800** Copper Supply Tube 800mm

- Maximum Operating Pressure: 2000 kPa (290psi)
- 5-Year warranty against manufacturing-related defects
- Copper tube maintains flexibility to bend slightly for adjustments

### SPECIFICATIONS

**Material:** Copper

*\*Technical Drawing: pg 116*



## STAINLESS STEEL FLEXIBLE HOSE

**N2389-400** SS Flexible Hose 400mm

*Special Order:*

**N2389-300** SS Flexible Hose 300mm

**N2389-500** SS Flexible Hose 500mm

**N2389-800** SS Flexible Hose 800mm

- Maximum Operating Pressure: 2000 kPa (290psi)
- 5-Year warranty against manufacturing-related defects

### SPECIFICATIONS

**Material:** Stainless Steel

*\*Technical Drawing: pg 116*



## VACUUM BREAKER

**N2317-VP**

- Maximum Working Pressure: 125 PSI
- Maximum Temperature: 140°F (60°C)
- 5-Year warranty against manufacturing-related defects.

### SPECIFICATIONS

**Materials:** Chrome-Plated Solid Brass

*\*Technical Drawing: pg 116*



## SHOWERHEAD FLOW CONTROL

**N3320** 7.6 LPM  
**N3322** 8.5 LPM  
**N3325** 9.5 LPM

- Intel shut-off stop
- 5-Year warranty against manufacturing-related defects

### SPECIFICATIONS

**Material:** Solid Brass

*\*Technical Drawing: pg 116*



## SOAP & SOAK ON/OFF VALVE

**N3320V** 7.6 LPM

- Compatible with conventional showerheads
- Patented Soap & Soak® valve reduces flow for maximum water savings
- 5-Year warranty against manufacturing-related defects

### SPECIFICATIONS

**Inlet:** 1/2-14 NPSM female straight pipe thread

*\*Technical Drawing: pg 117*



## SHOWER ARM WITH ESCUTCHEON PLATE

**N3162** Chrome

- Maximum Operating Pressure: 860 kPa (125psi)
- Rated Temperature: 5 to 71°C (40 to 160°F)
- 5-Year Warranty Against Manufacturing-Related Defects

### SPECIFICATIONS

**Material:** Chrome-Plated Solid Brass

*\*Technical Drawing: pg 117*



## MIXER ANGLE VALVE

**N2385**

- Intel Shut-Off Stop
- 5-Year Warranty Against Manufacturing-Related Defects

### SPECIFICATIONS

**Materials:** Brass

*\*Technical Drawing: pg 117*



## TOILET AND SHATTAF ANGLE VALVE

**N2384**

- Maximum Operating Pressure: 860 kPa (125psi)
- Rated Temperature: 5 to 71°C (40 to 160°F)
- Intel shut-off stop
- 5-Year warranty against manufacturing-related defects

### SPECIFICATIONS

**Material:** Brass

*\*Technical Drawing: pg 117*

### CERTIFICATIONS

SASO Certified



## TOILET AND SHATTAF ANGLE VALVE

**NT6118**

- Inlet And Outlet Diameter 1/2" x 1/2"

### SPECIFICATIONS

**Materials:** Brass Body, Chrome Plated

*\*Technical Drawing: pg 117*



## TOILET AND SHATTAF ANGLE VALVE

**NT6119**

- Inlet And Outlet Diameter 1/2" x 1/2"

### SPECIFICATIONS

**Materials:** Brass Body, Chrome Plated

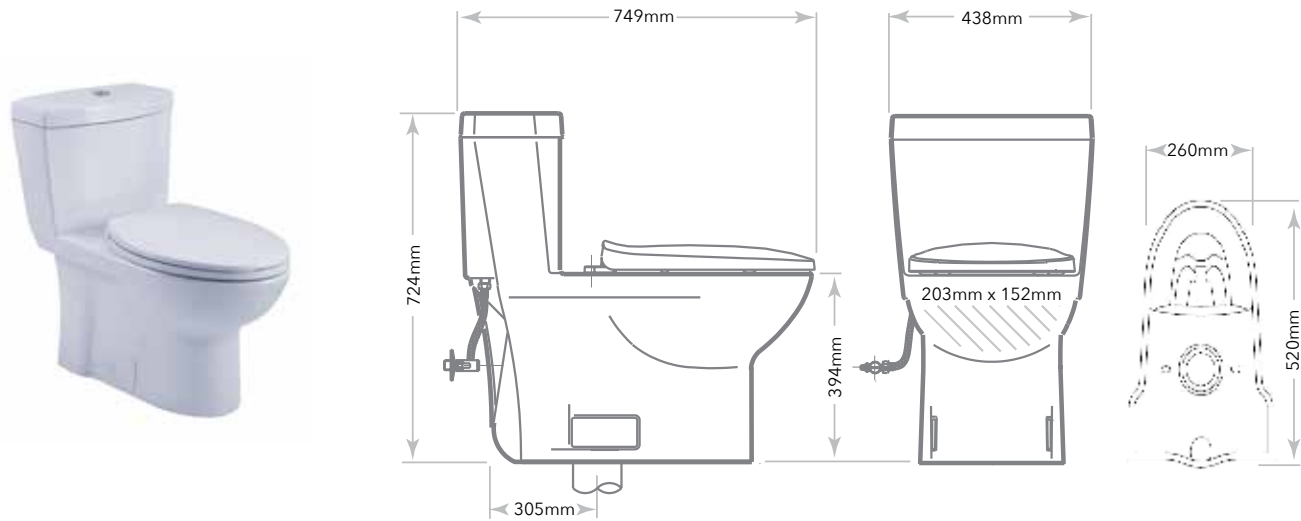
*\*Technical Drawing: pg 117*



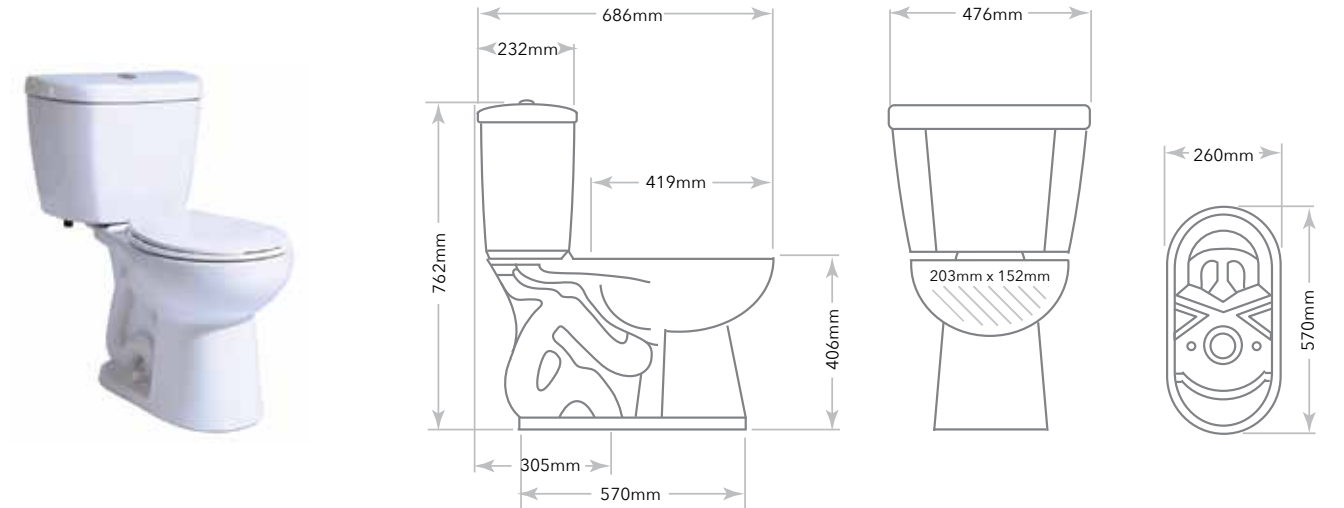
# TECHNICAL INFORMATION

**WESTERN WATER CLOSETS**

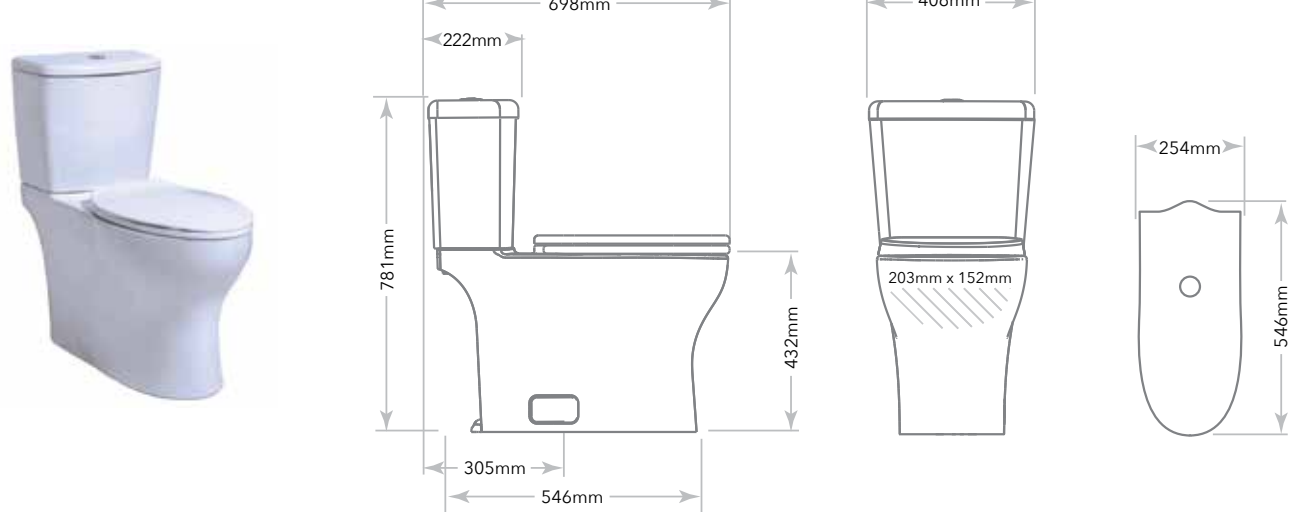
**N7711-TME** *One Piece*



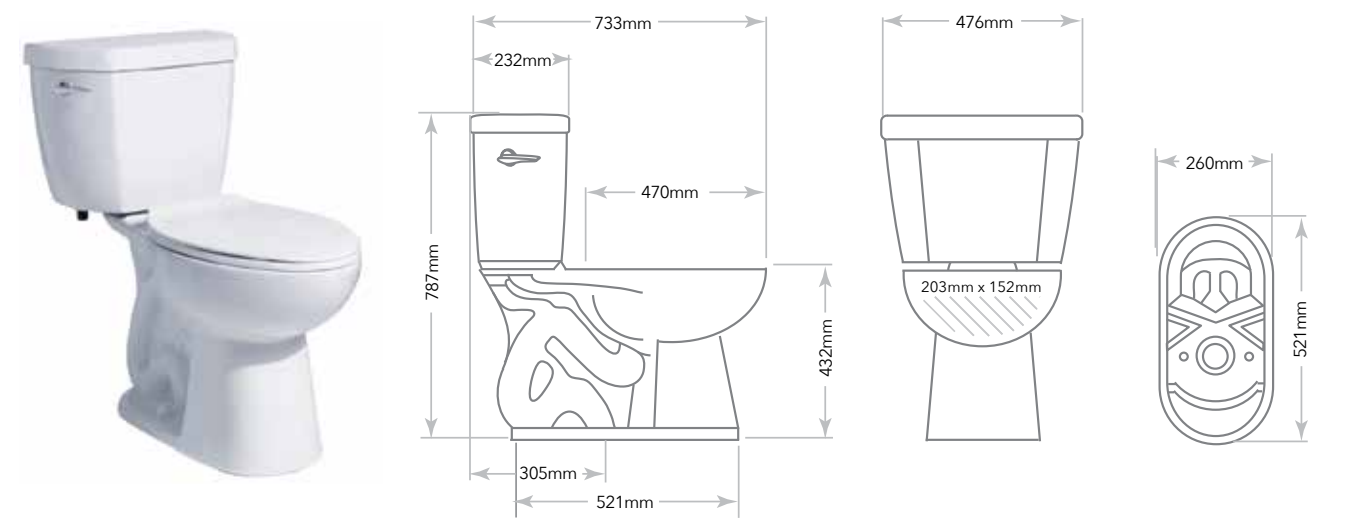
**N7716-TME + N7714-TME** *Original Round 12"*



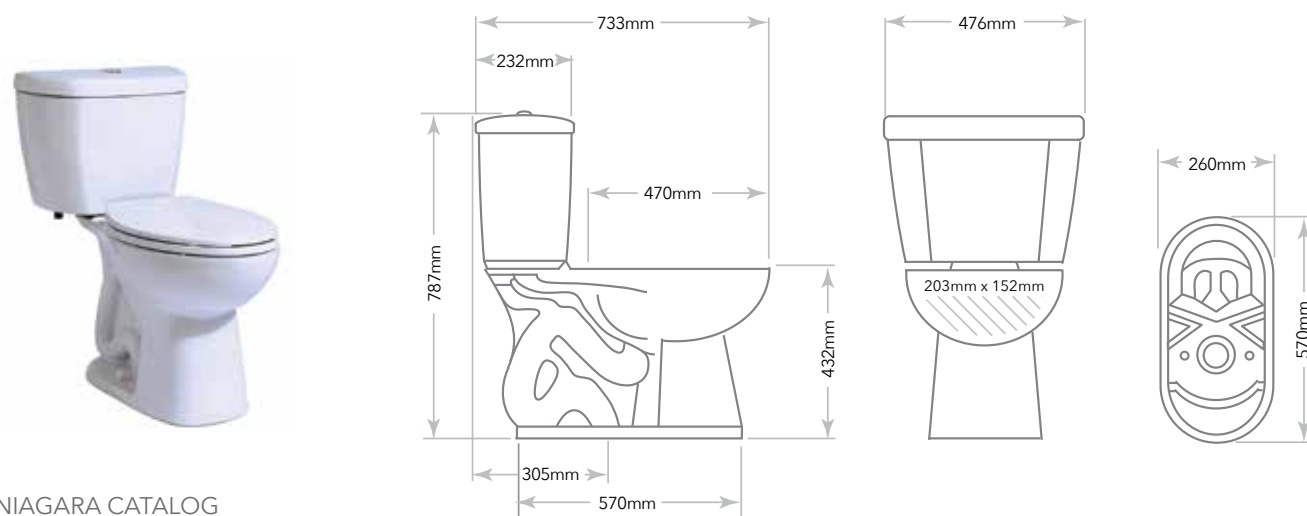
**N7747-TME + N7747T-TME** *Phantom*



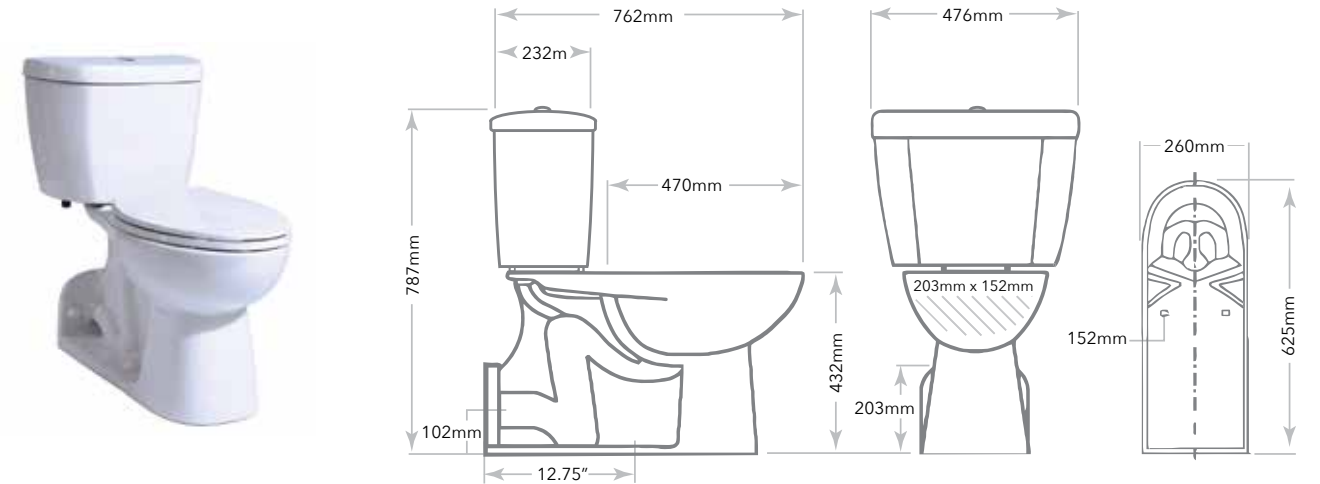
**N7717-TME + N7714TFH-TME** *Original Elongated + Side Handle*



**N7717-TME + N7714-TME** *Original Elongated 12"*

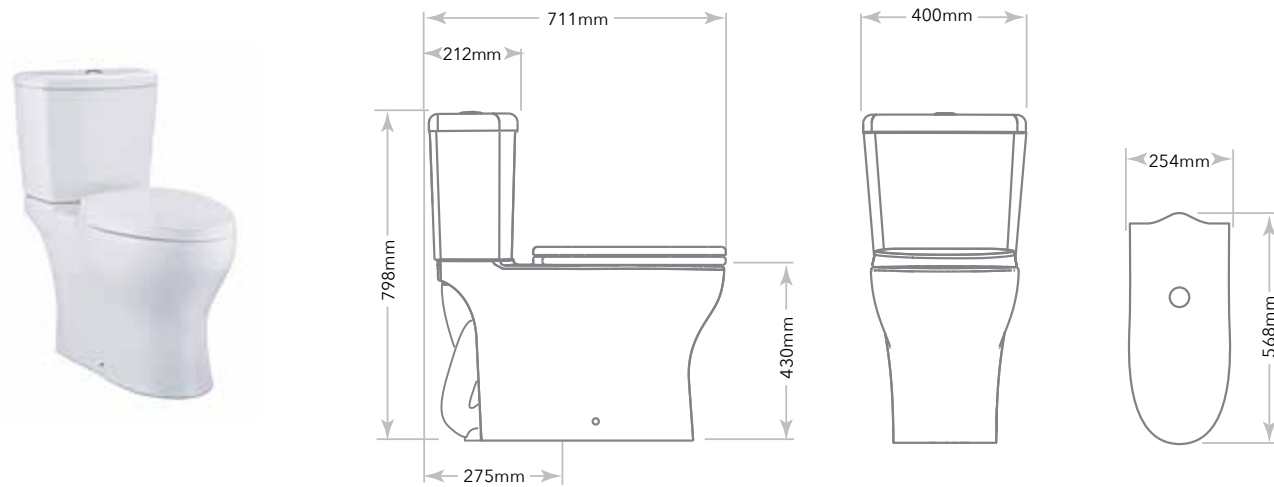


**N7799-TME + N7799T-TME** *Original Elongated 4"*

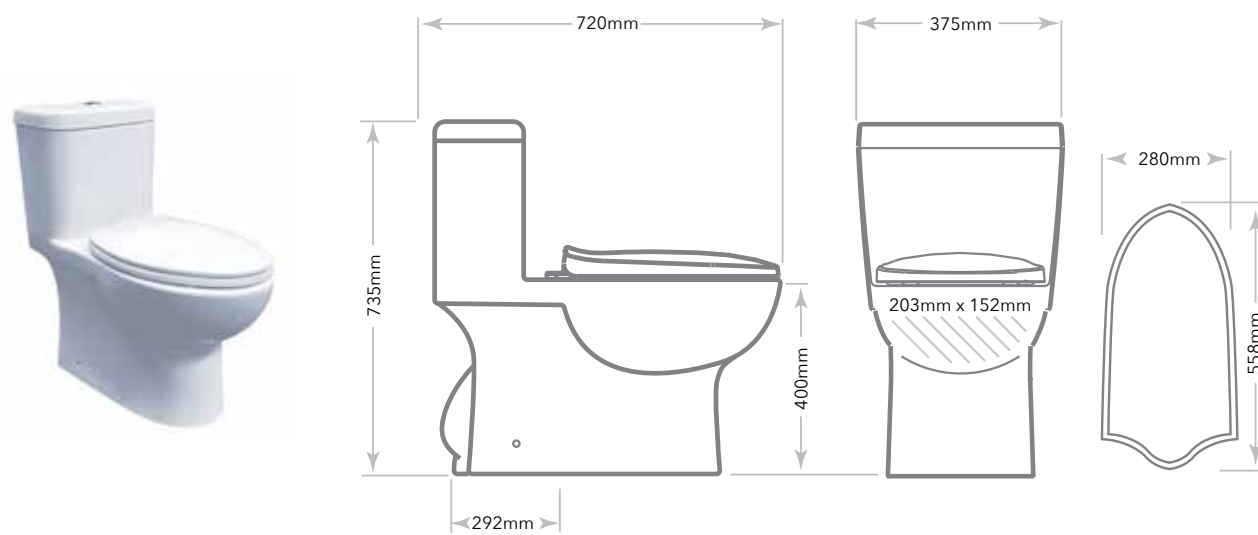


## WESTERN WATER CLOSETS - MIDDLE EAST EXCLUSIVE

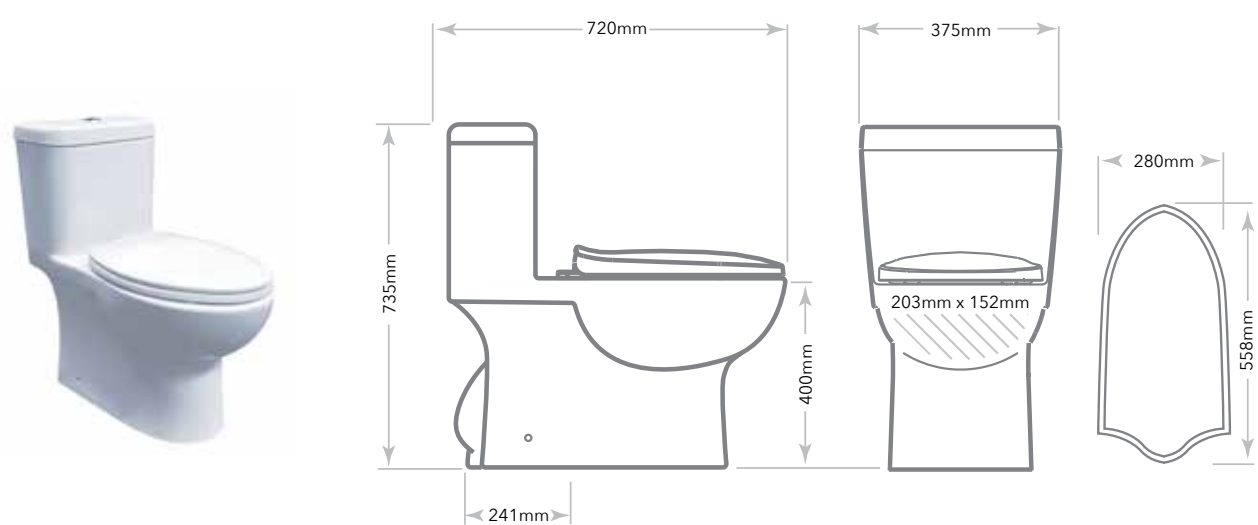
**N7747EB-10-TME + N7747T-TME** Middle East Exclusive Phantom 10"



**N7751-12-TME** Middle East Exclusive One Piece 12"

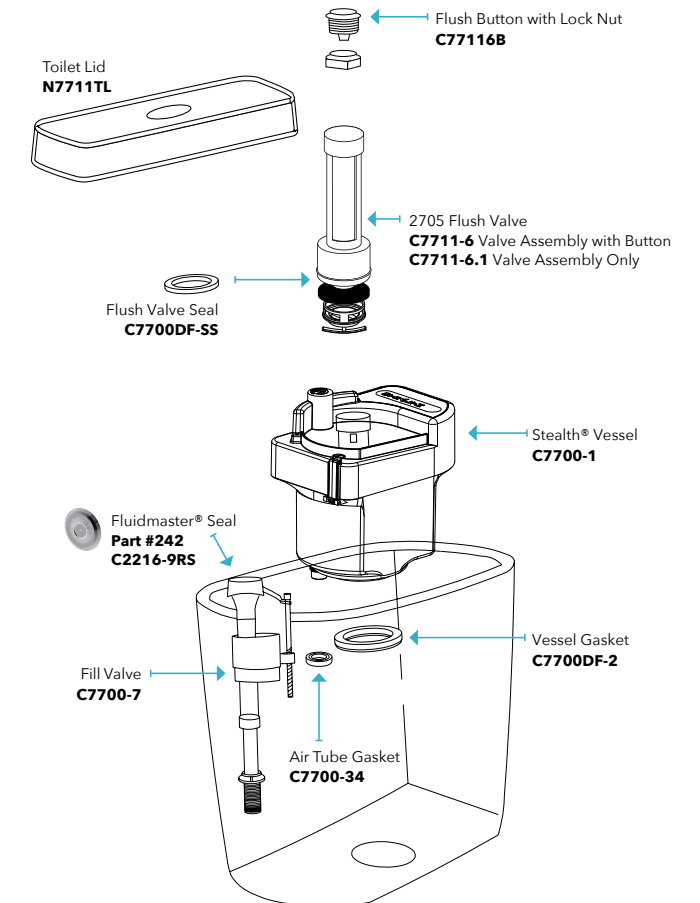


**N7751-10-TME** Middle East Exclusive One Piece 10"

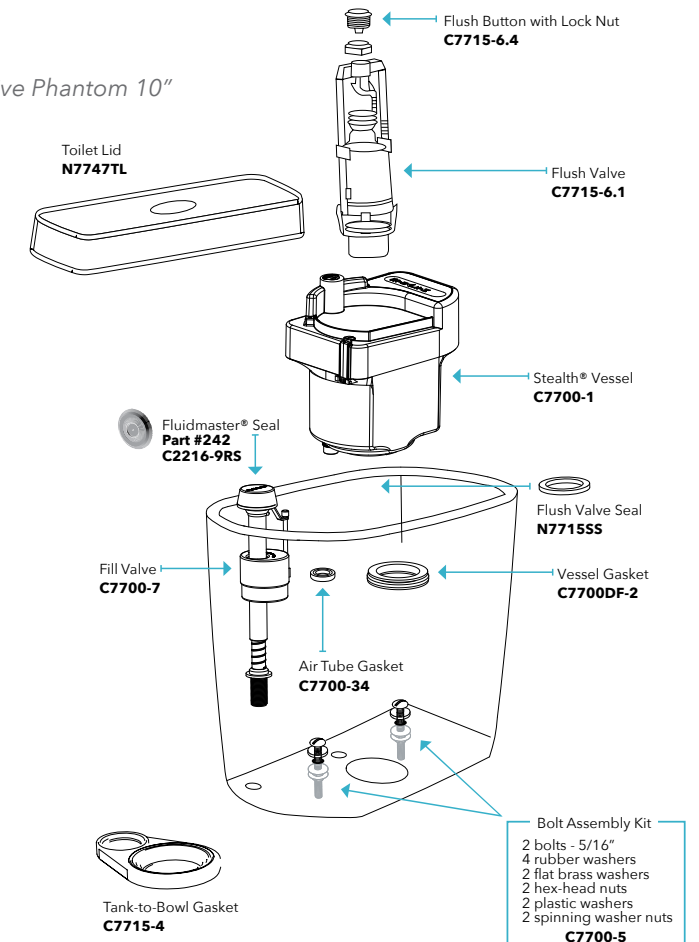


## TANK REPLACEMENT PARTS

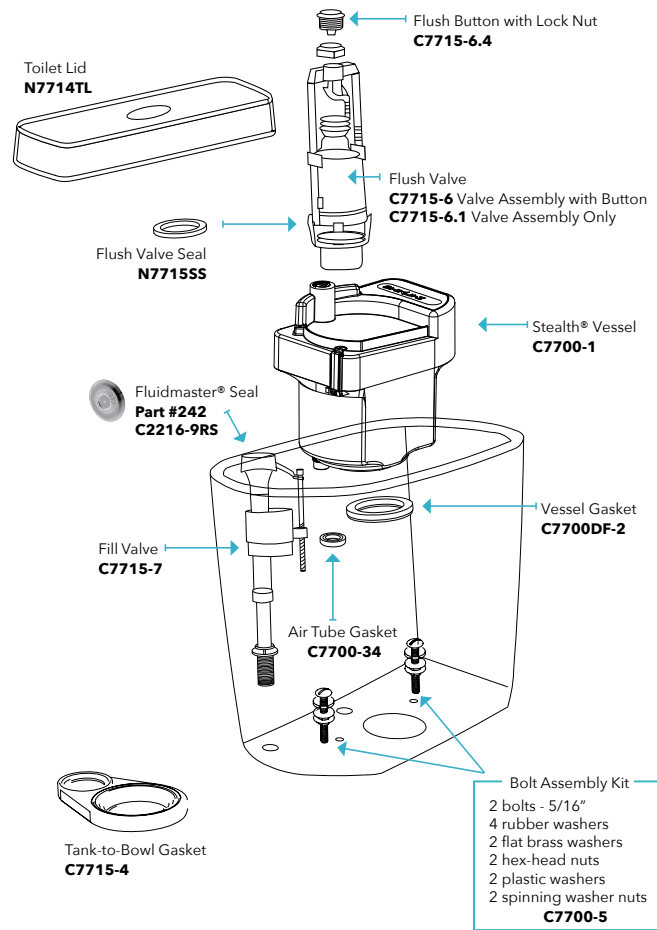
**N7711-TME** One Piece



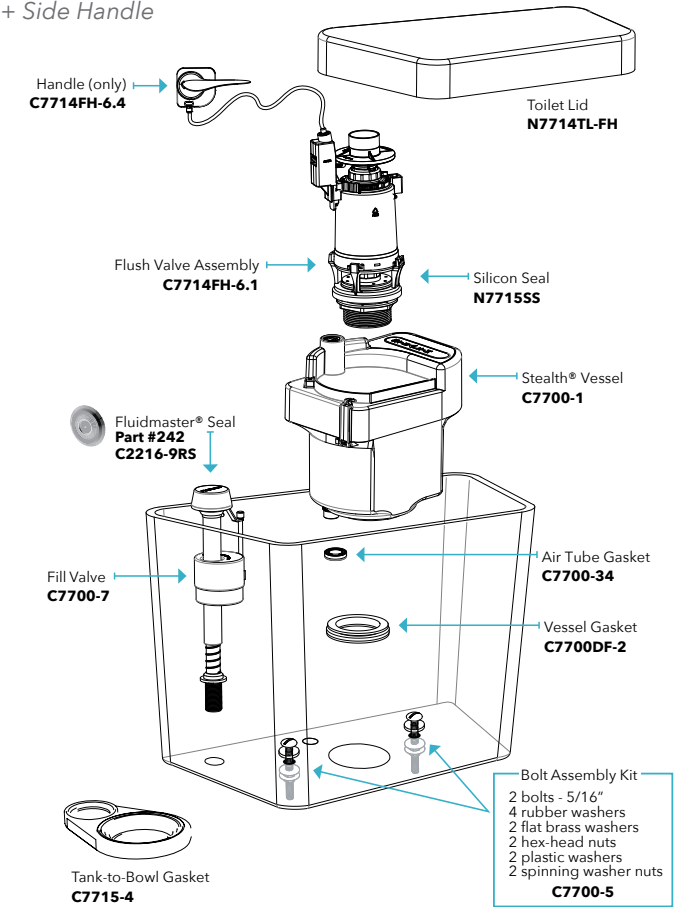
**N7747EB-TME + N7747-TME** Phantom 12"  
**N7747EB-10-TME + N7747-TME** Middle East Exclusive Phantom 10"



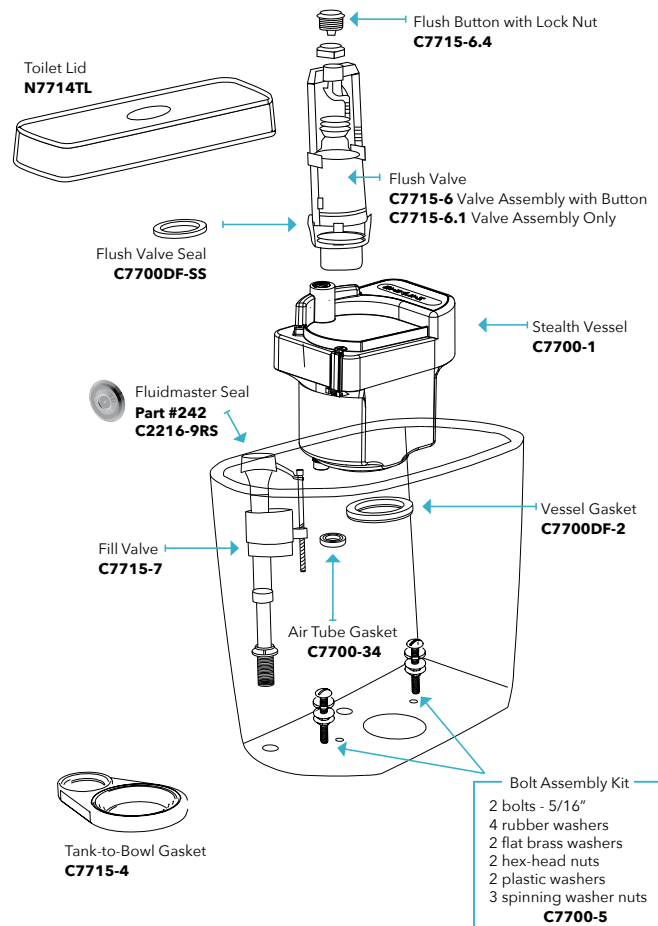
**N7717-TME + N7714-TME** Original Elongated 12"



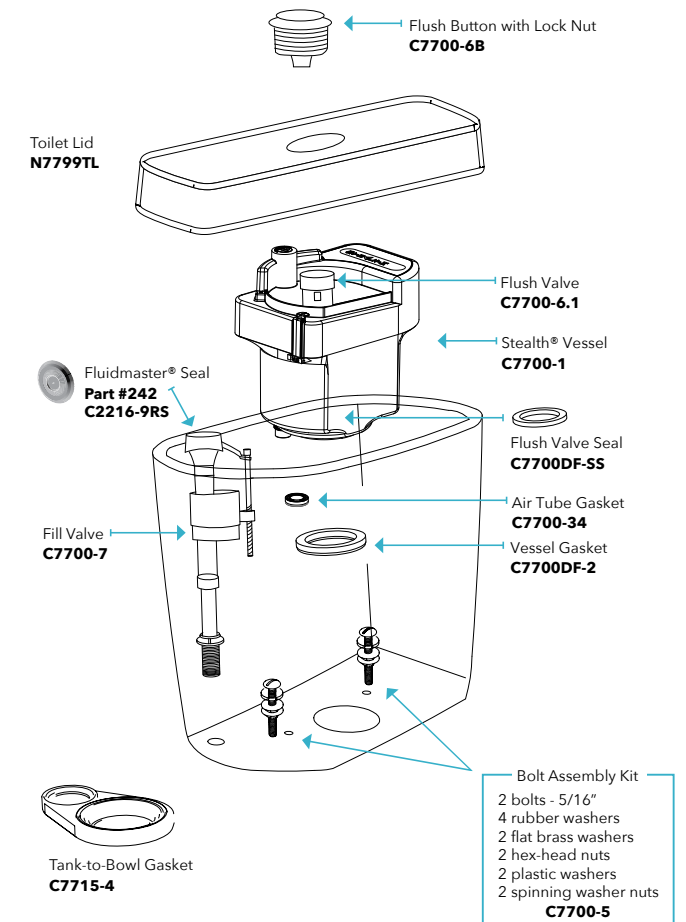
**N7717-TME + N7724TFH-TME** Original Elongated + Side Handle



**N7716-TME + N7714-TME** Original Round 12"



**N7799-TME + N7799T-TME** Original Elongated 4"



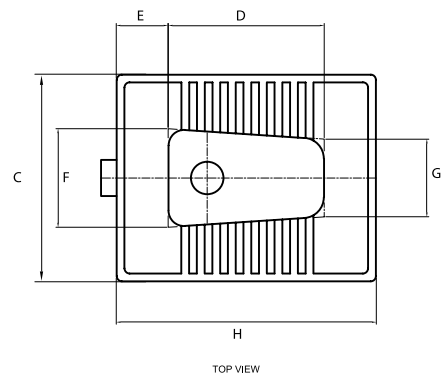
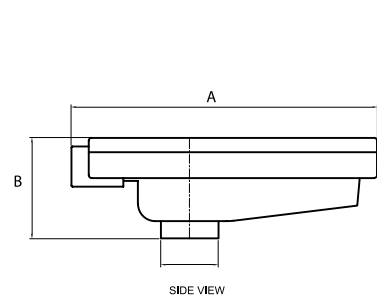
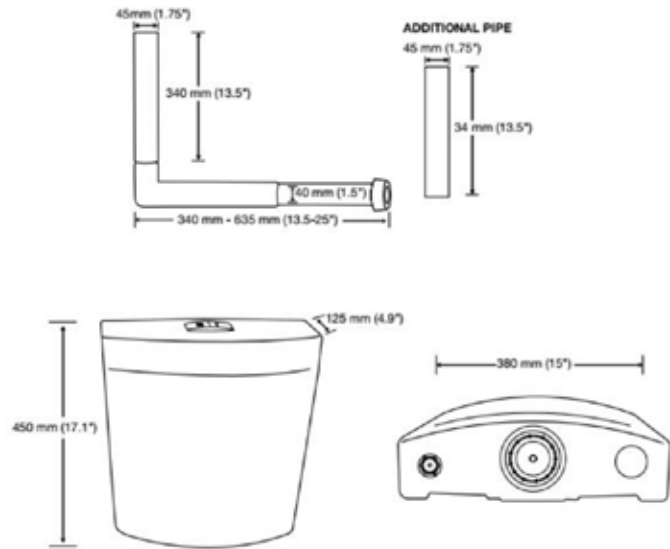
**N7751-10-TME** Middle East Exclusive One Piece 10"  
**N7751-12-TME** Middle East Exclusive One Piece 12"



	Description	Product Code	NCC Item Number
<b>BSB</b>	Body	183338&181868	C7751-1
	Cap	181868	
	Internal	183338	
	Body washer	282876	C7751-2
	Air seal Washer	282312	C7751-34
	BSB Internal pipe	183575	C7751-3
<b>Inlet</b>	126 inlet	183465	C7751-7
	170mm refill pipe	282766	C7751-74
	Yellow regulator	183465	
	Water supply washer 126/ BSB	183661	C7751-72
<b>Outlet</b>	240 flush valve	183469	C7751-6
	Rod	183469	
	320 Button	183635	C7751-6B

**EASTERN WATER CLOSET**

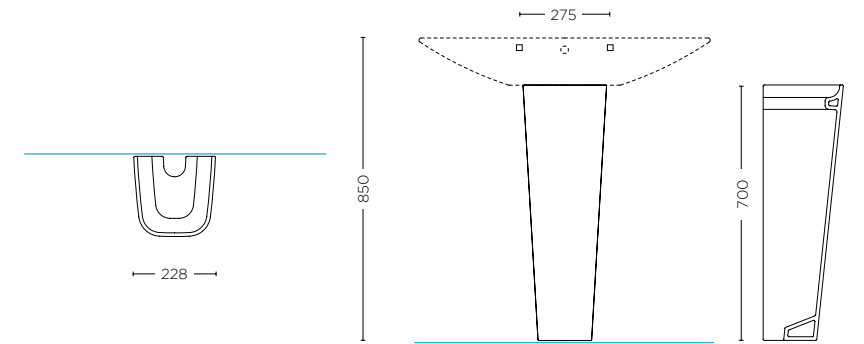
**N2373** Eastern Water Closet Tank  
**N2373-C** Eastern Water Closet



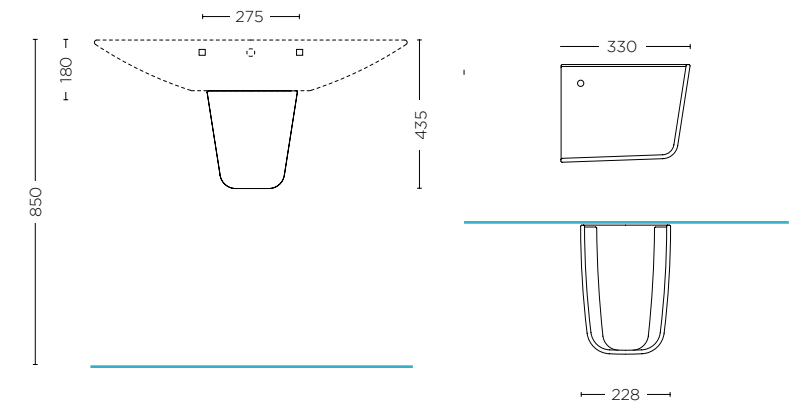
ITEM	12cm	13cm	18cm
A	530	580	560
B	175	175	210
C	400	440	450
D	300	420	420
E	100	76	80
F	190	225	225
G	150	178	190
H	500	550	545

**NIAGARA MIDDLE EAST COLLECTIONS - LIBERTY**

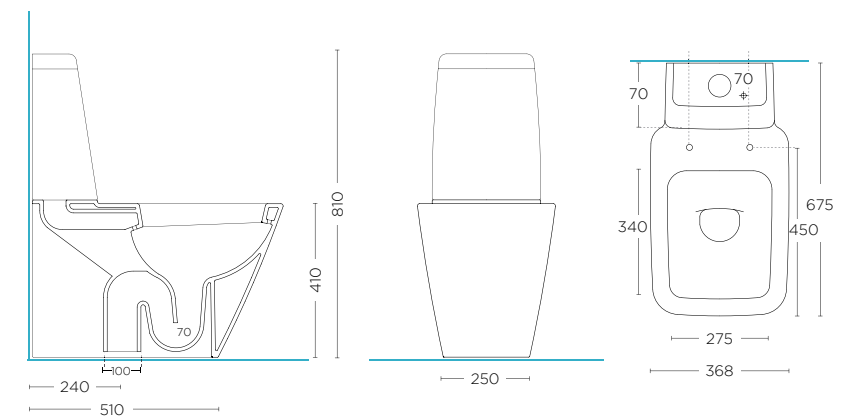
**N6401** Liberty Pedestal Wash Basin



**N6402** Liberty Half Pedestal Wash Basin

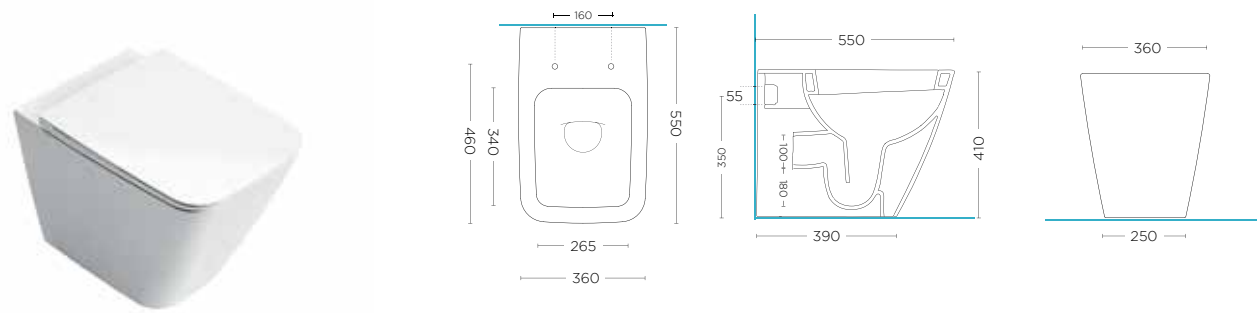


**N6411** Liberty Western Water Closet

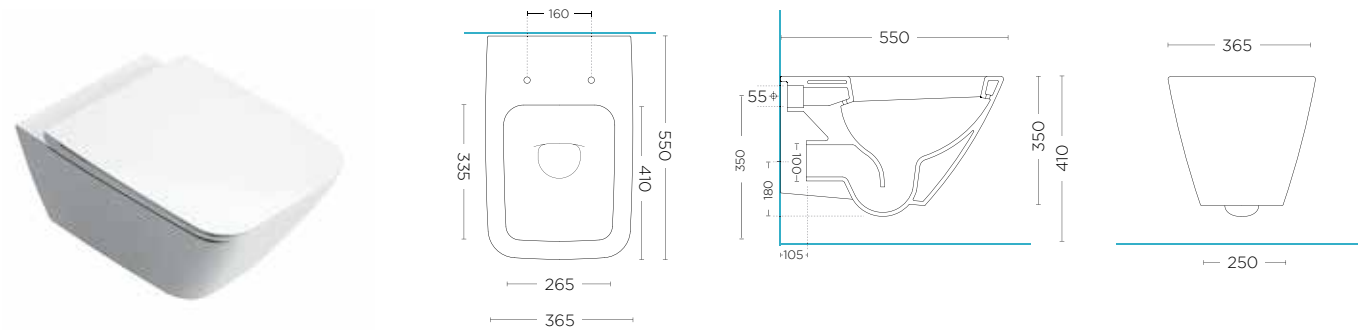


**NIAGARA MIDDLE EAST COLLECTIONS - MANHATTAN**

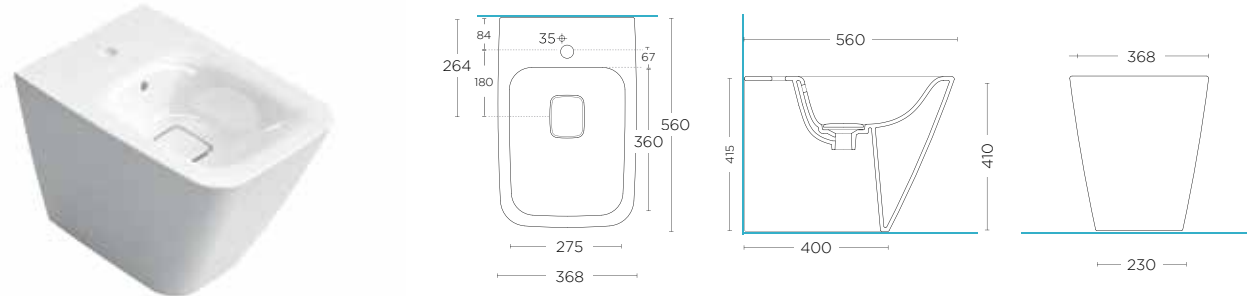
**N6412** Liberty Back To Wall Water Closet



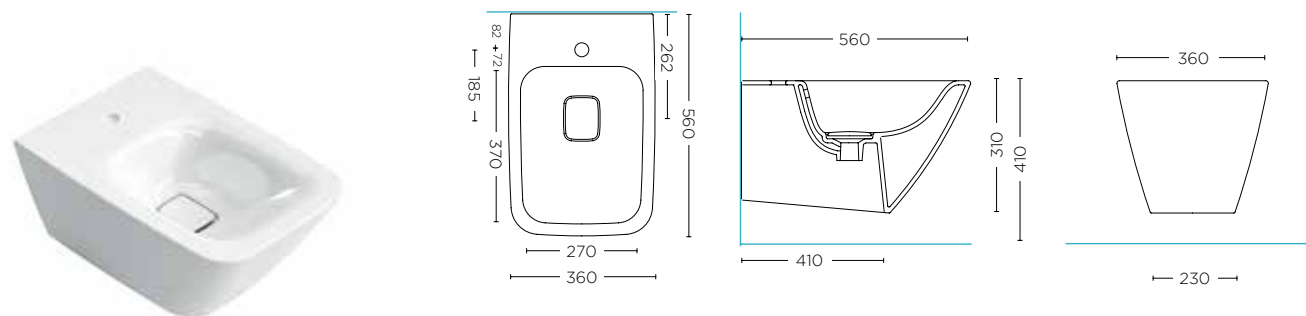
**N6413** Liberty Wall Hung Water Closet



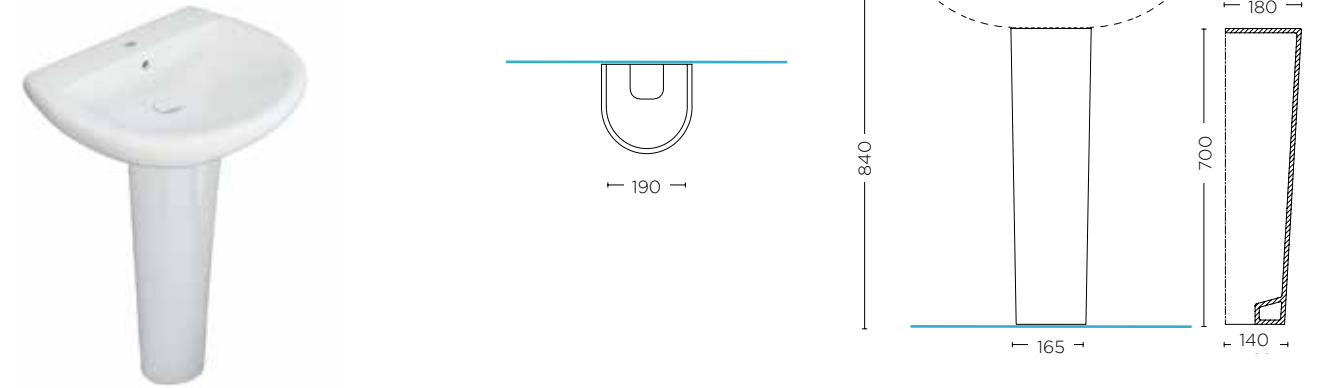
**N6416** Liberty Back To Wall Bidet



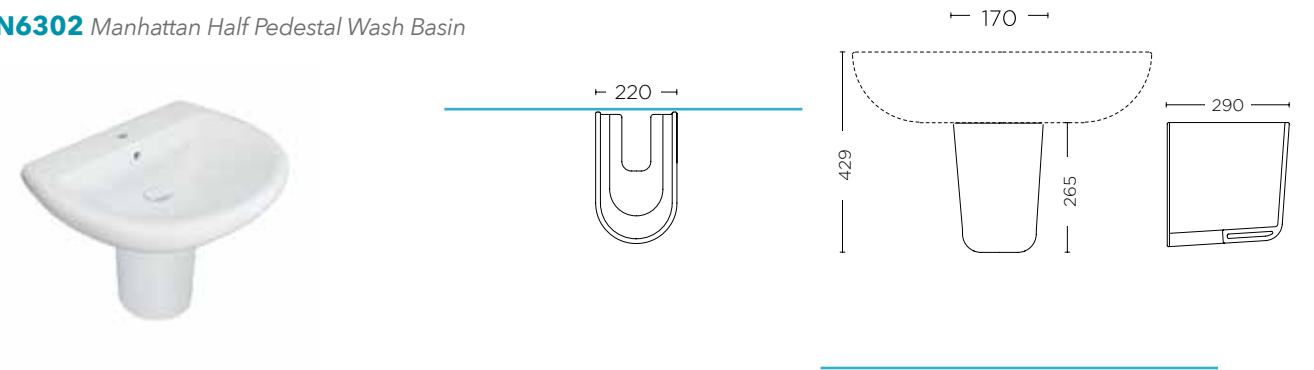
**N6417** Liberty Wall Hung Bidet



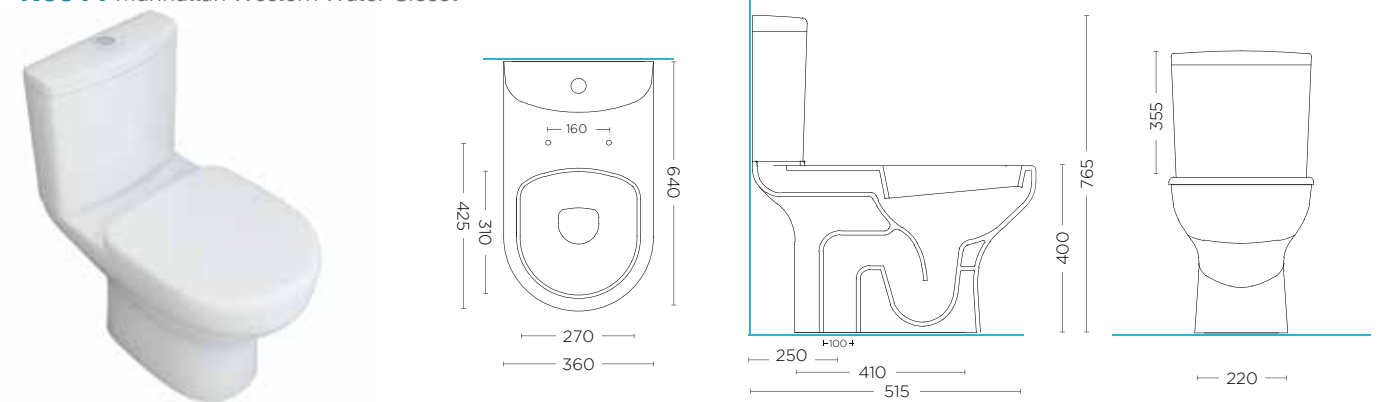
**N6301** Manhattan Pedestal Wash Basin



**N6302** Manhattan Half Pedestal Wash Basin

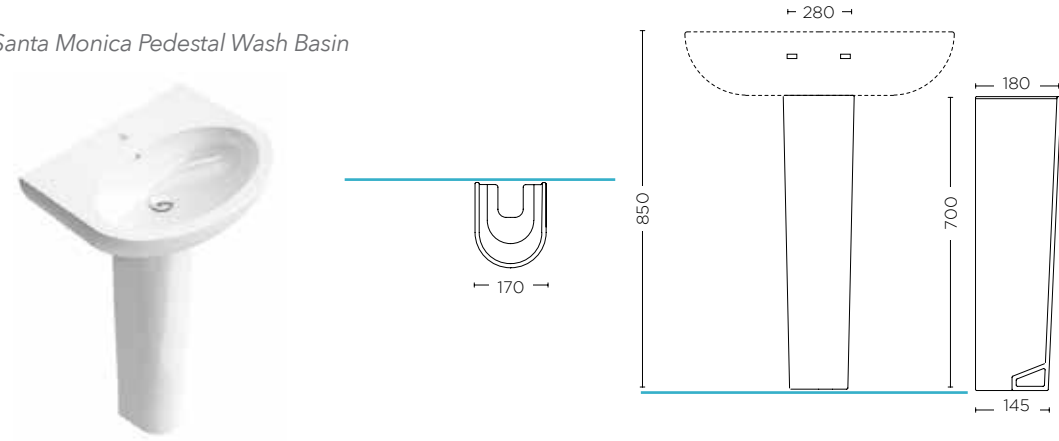


**N6311** Manhattan Western Water Closet

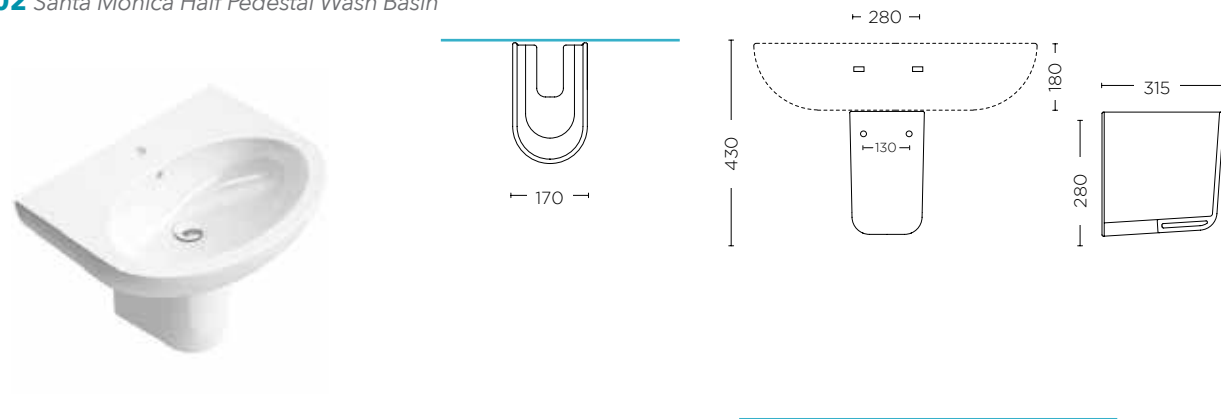


**NIAGARA MIDDLE EAST COLLECTIONS - SANTA MONICA**

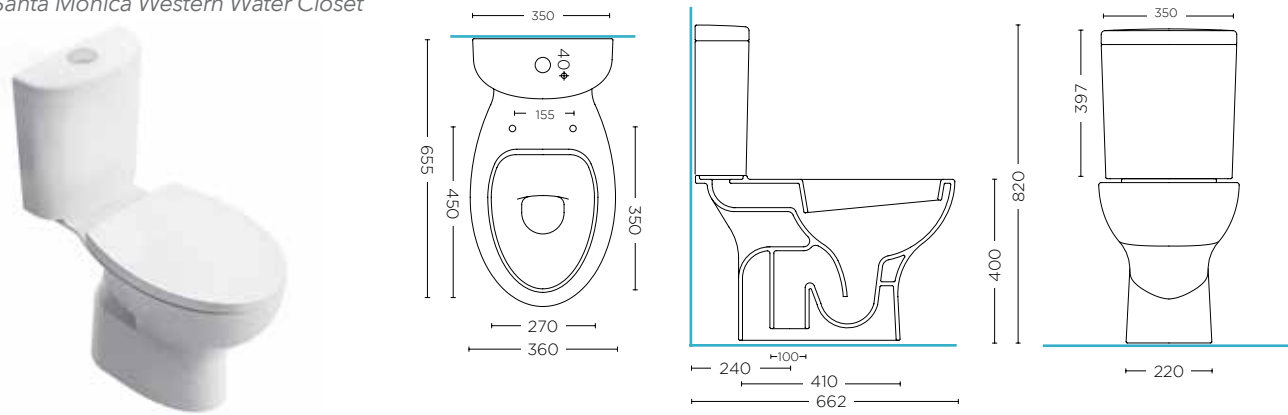
**N6201** Santa Monica Pedestal Wash Basin



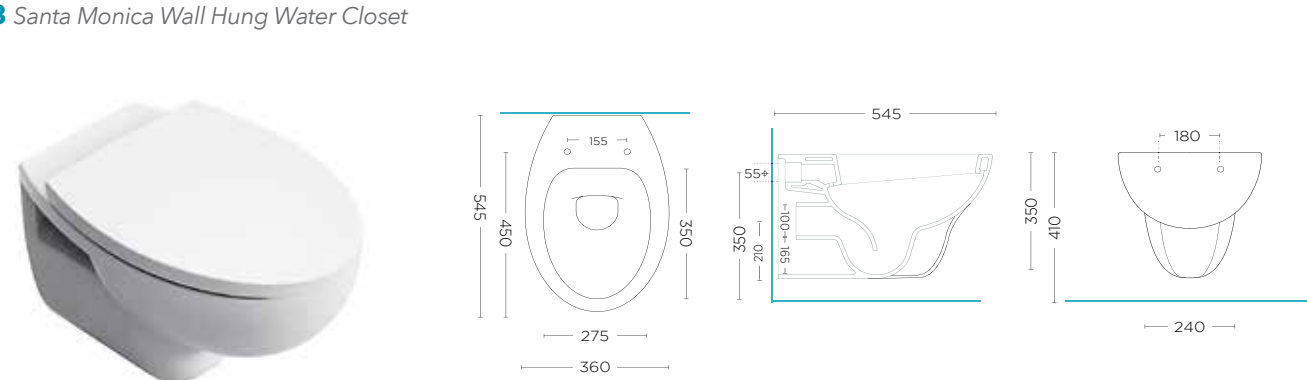
**N6202** Santa Monica Half Pedestal Wash Basin



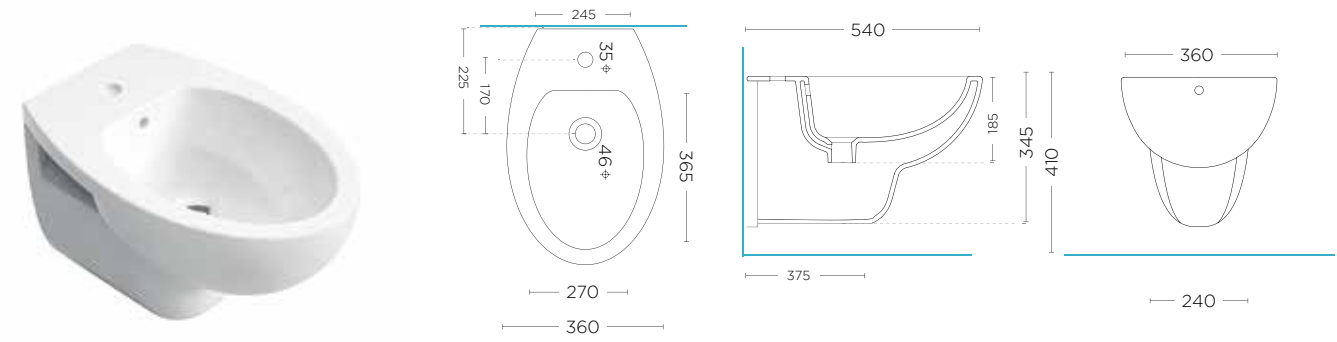
**N6211** Santa Monica Western Water Closet



**N6213** Santa Monica Wall Hung Water Closet

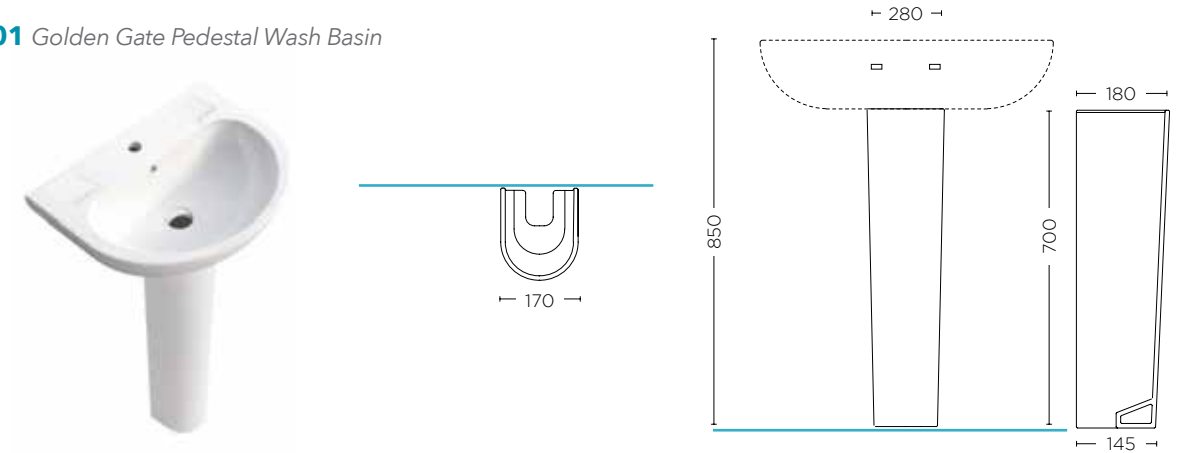


**N6217** Santa Monica Wall Hung Bidet

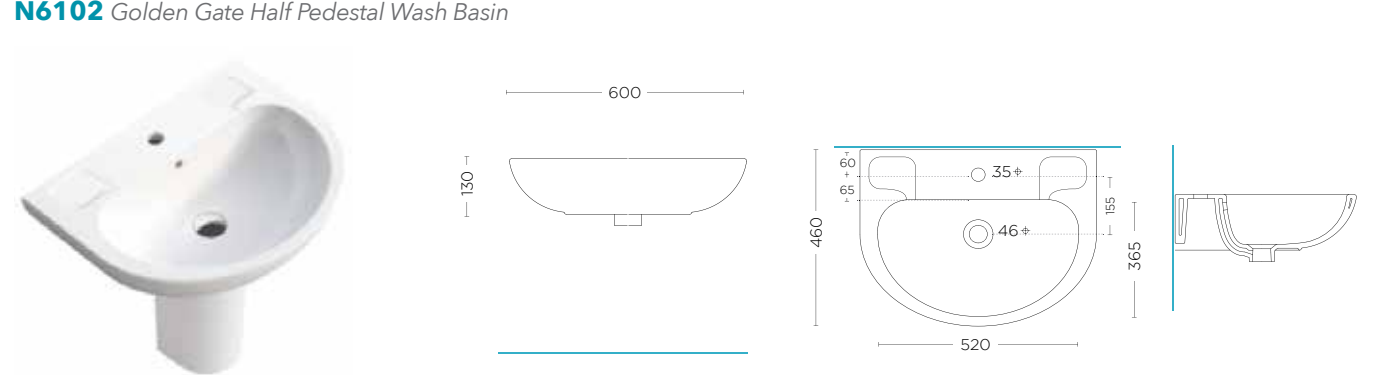


**NIAGARA MIDDLE EAST COLLECTIONS - GOLDEN GATE**

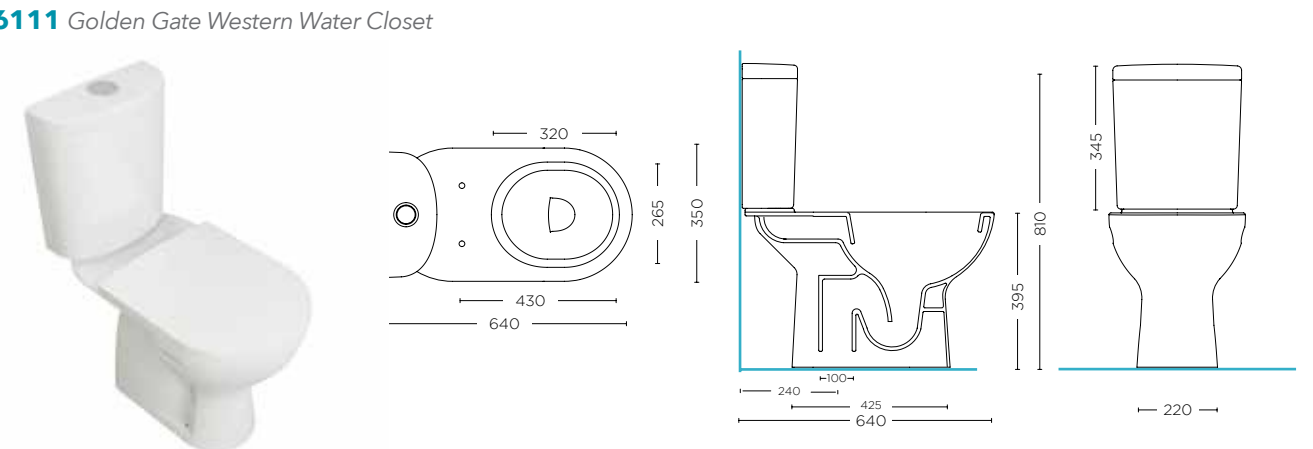
**N6101** Golden Gate Pedestal Wash Basin



**N6102** Golden Gate Half Pedestal Wash Basin



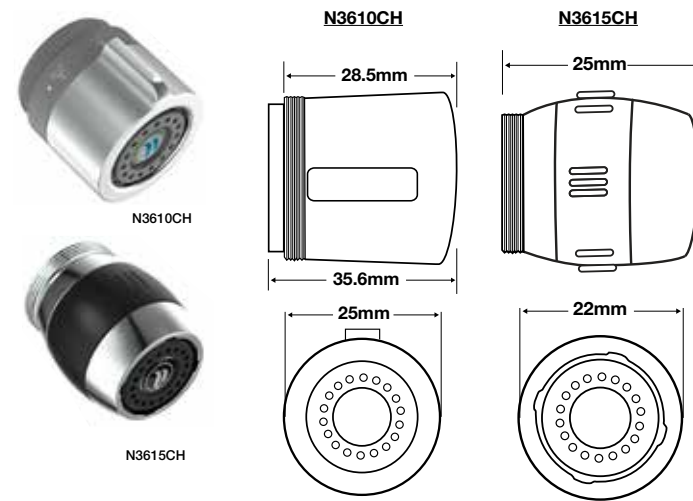
**N6111** Golden Gate Western Water Closet



## AERATORS AND SHATTAFS

### Tri-Max Aerator

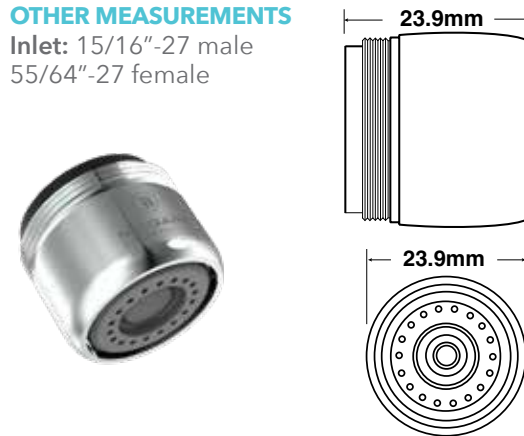
**N3610CH** 1.9 / 3.8 / 5.7 LPM Needle  
**N3615CH** 1.9 / 3.8 / 5.7 LPM Needle



### Dual Thread Aerator

**N3205N-PC** 1.9 LPM Needle  
**N3215N-PC** 5.7 LPM Needle  
**N3210B-PC** 3.8 LPM Bubble  
**N3104B-PC** 5.7 LPM Bubble

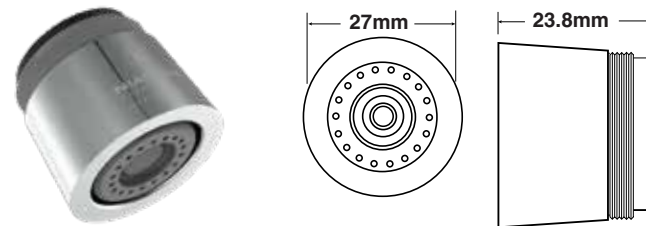
**OTHER MEASUREMENTS**  
 Inlet: 15/16"-27 male  
 55/64"-27 female



### Dual Thread Aerator (With Removable Threads)

**N3601N** 3.8 LPM Needle  
**N3602N** 5.7 LPM Needle  
**N3601B** 3.8 LPM Bubble  
**N3602B** 5.7 LPM Bubble

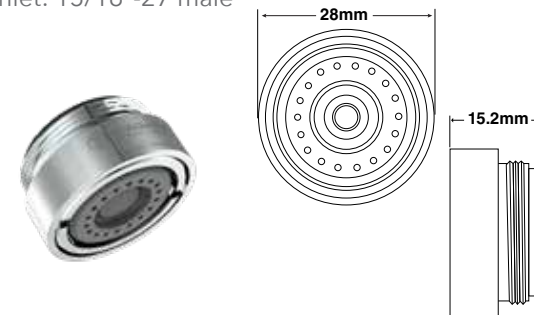
**OTHER MEASUREMENTS**  
 Inlet: 15/16"-27 male  
 55/64"-27 female



### Tamperproof Aerator (With Male Threads)

**N3205NMTP-PC-T** 1.9 LPM Needle  
**N3210NMTP-PC-T** 3.8 LPM Needle  
**N3215NMTP-PC-T** 5.7 LPM Needle  
**N3210BMTP-PC-T** 3.8 LPM Bubble  
**N3215BMTP-PC-T** 5.7 LPM Bubble

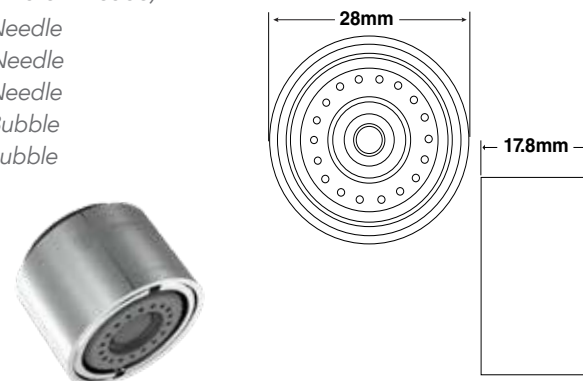
**OTHER MEASUREMENTS**  
 Inlet: 15/16"-27 male



### Tamperproof Aerator (With Female Threads)

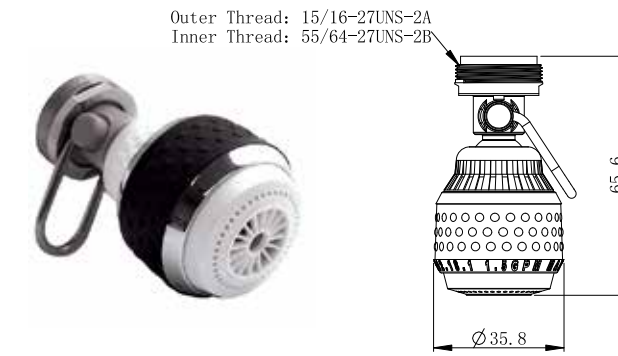
**N3205NFTP-PC-T** 1.9 LPM Needle  
**N3210NFTP-PC-T** 3.8 LPM Needle  
**N3215NFTP-PC-T** 5.7 LPM Needle  
**N3210BFTP-PC-T** 3.8 LPM Bubble  
**N3215BFTP-PC-T** 5.7 LPM Bubble

**MEASUREMENTS**  
 Inlet: 55/64"-27 female



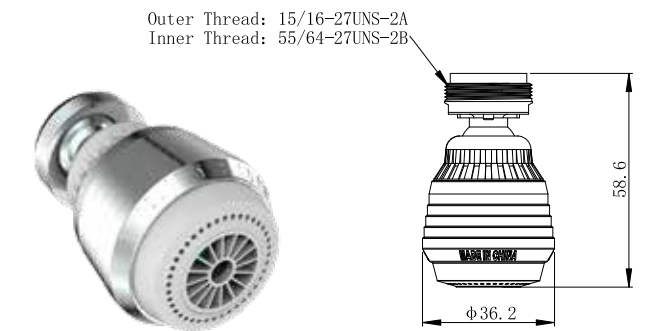
### Dual Spray Kitchen Aerator (With Pause Valve)

**N3115VP-FC** 5.7 LPM Black/White



### Dual Spray Kitchen Aerator

**N3115P** 5.7 LPM White/Chrome



### Dual Spray Kitchen Aerator (With Pause Valve)

**N3126VP** 5.7 LPM White  
**N3126VP-C** 5.7 LPM Chrome



### Dual Spray Kitchen Aerator

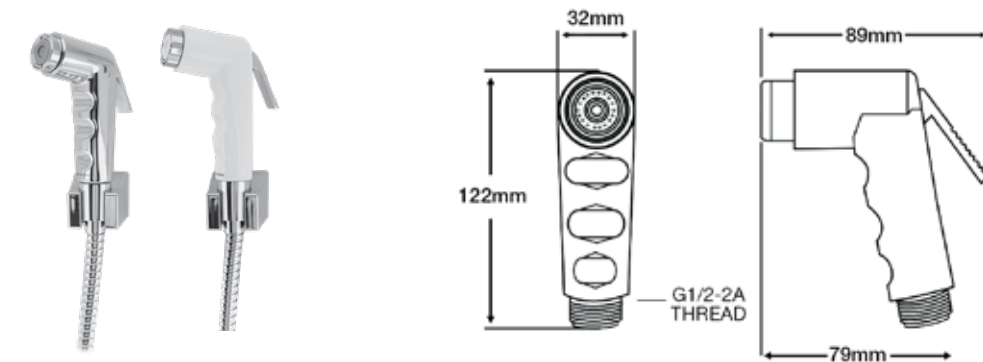
**N3126P** 5.7 LPM White  
**N3126P-C** 5.7 LPM Chrome



**N2317** Standard Super Shattaf  
**N2317-TP** Tamperproof Super Shattaf  
**N2317-VB** Vacuum Breaker for Shattaf Unit  
**N2317CH** Chrome Plated Super Shattaf  
**N2317CH-TP** Chrome Plated Tamperproof Super Shattaf

### OTHER MEASUREMENTS

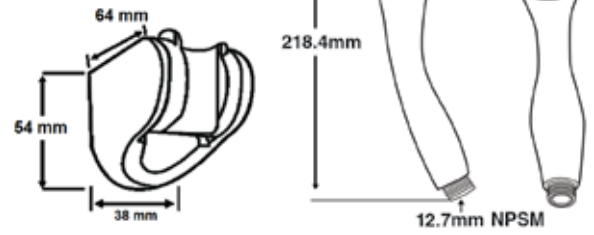
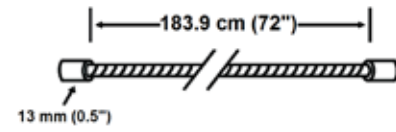
Hose: 120cm (47") Stainless steel wrapped PVC with chrome-plated brass end connectors



## SHOWERHEADS WITH EQUIFORCE TECHNOLOGY

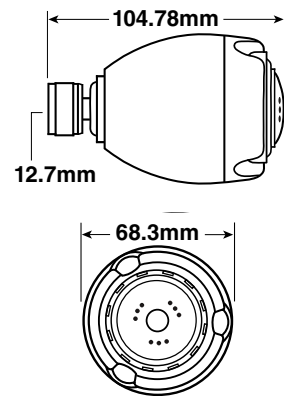


Earth Handheld Showerhead  
**N2935-ME** 7.6 LPM White  
**N2935CH-ME** 7.6 LPM Chrome  
**N2945CH-ME** 5.7 LPM Chrome



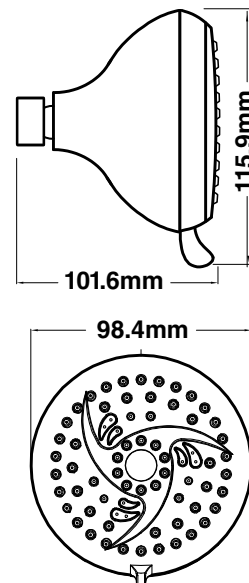
Earth Fixed Mount Showerhead

**N2920** 7.6 LPM White  
**N2920CH** 7.6 LPM Chrome  
**N2920CH-TP-ME** 7.6 LPM Chrome Tamperproof  
**N2915** 5.7 LPM 5.6 LPM White  
**N2920-V** 7.6 LPM 7.6 LPM with Soap and Soak Valve, White



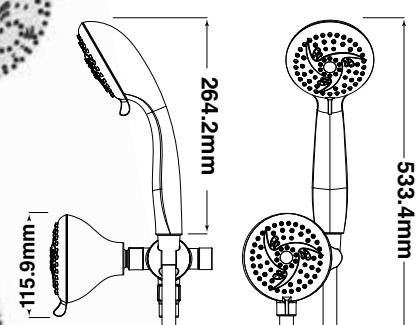
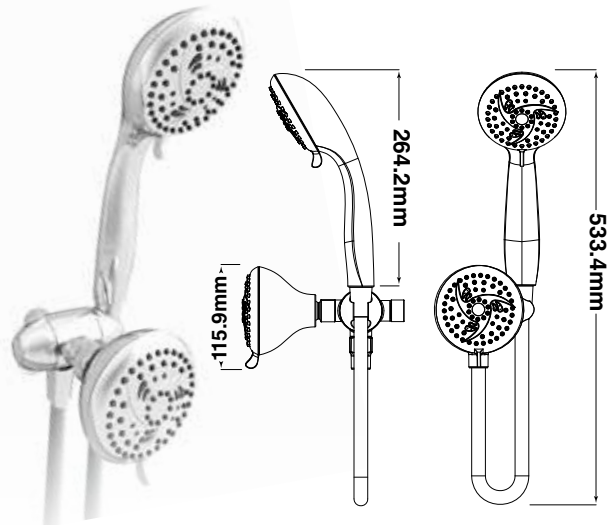
Vara Spa Fixed Mount Showerhead

**N9620CH** 7.6 LPM Chrome



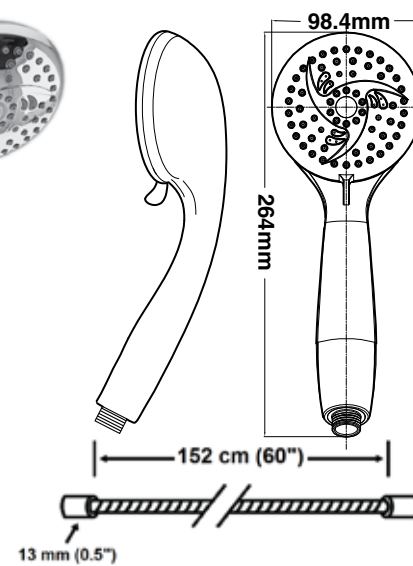
Vara Spa Combo Showerhead

**N9720CH-HH** 7.6 LPM Chrome



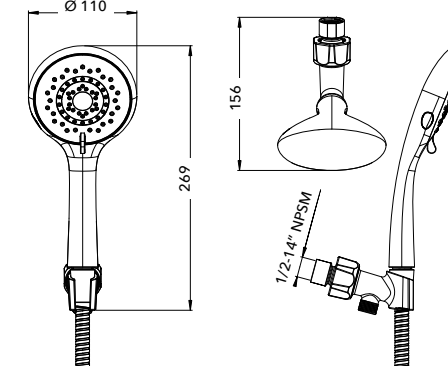
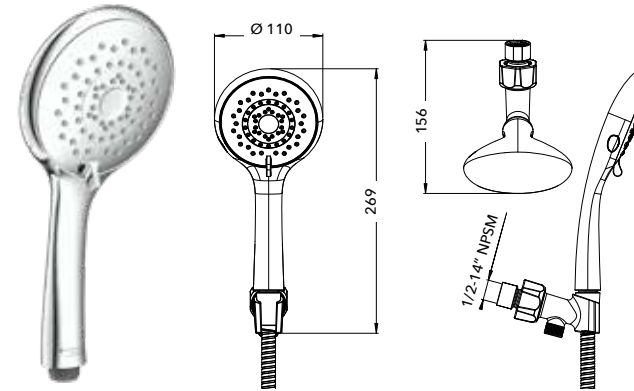
Vara Spa Handheld Showerhead

**N9620CH-HH** 7.6 LPM Chrome



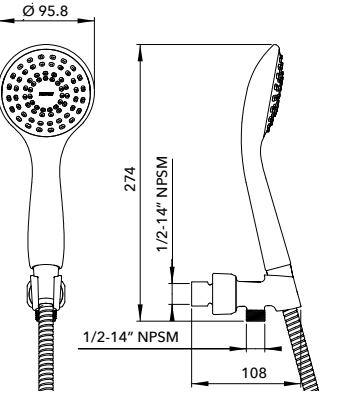
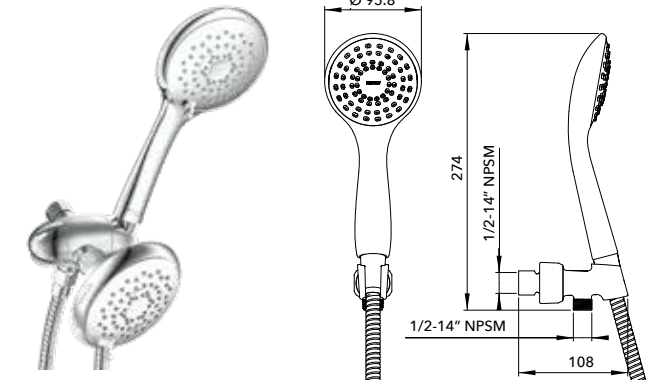
Healthguard Handheld

**N9917CH-HH-ME** 6.6 LPM



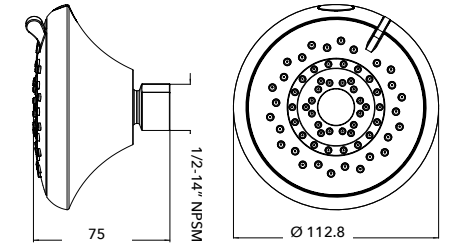
Healthguard Combo

**N9917CH-CB-ME** 6.6 LPM



Healthguard Fixed Mount

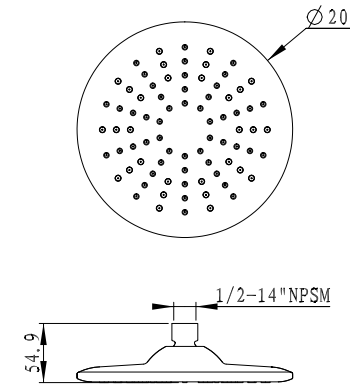
**N9917CH-ME** 6.6 LPM



## MIDDLE EAST RAIN SHOWERS AND SHOWERHEADS

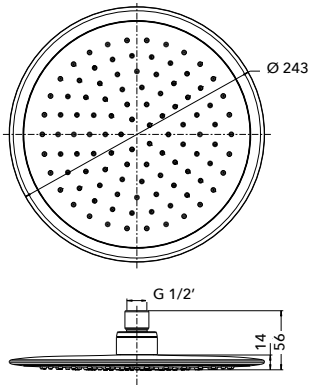
8" Rain Shower

**V0200** 6.6 LPM



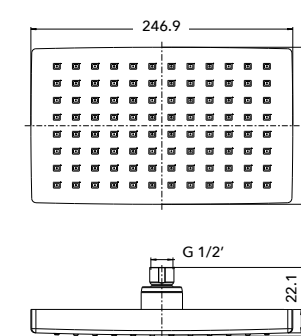
Rain Shower

**NRS7120** 6.5 LPM



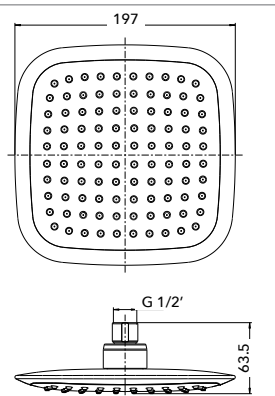
Rain Shower

**NRS7112** 6.5 LPM

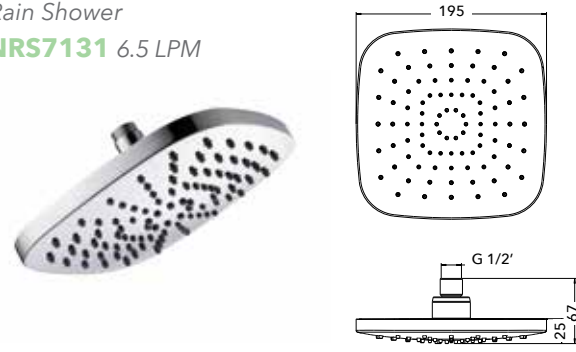


Rain Shower

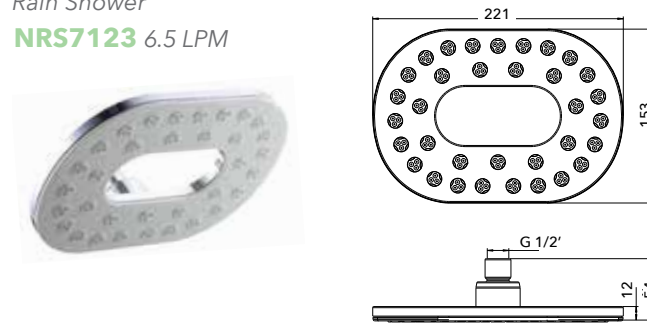
**NRS7184** 6.5 LPM



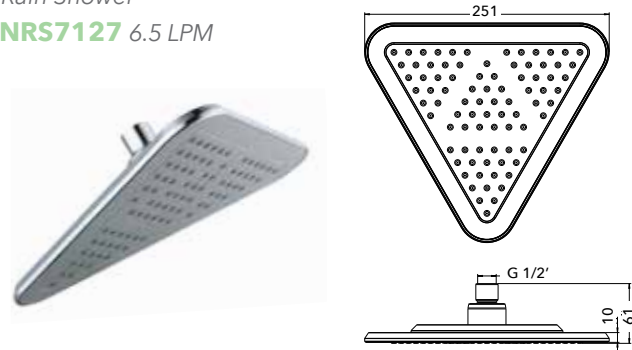
Rain Shower  
NRS7131 6.5 LPM



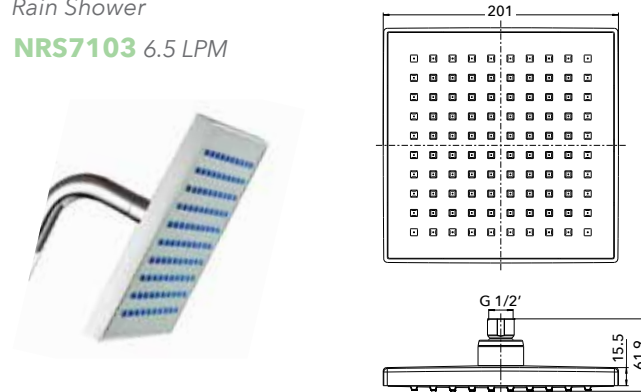
Rain Shower  
NRS7123 6.5 LPM



Rain Shower  
NRS7127 6.5 LPM

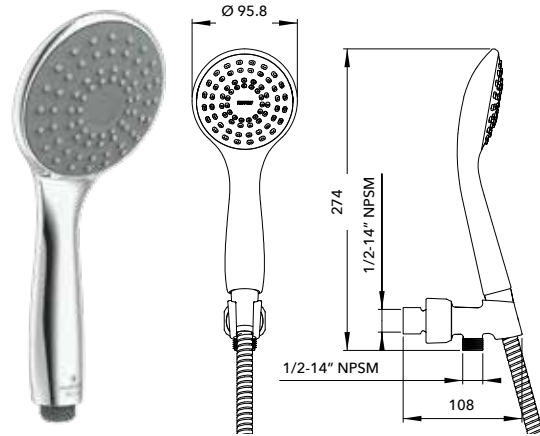


Rain Shower  
NRS7103 6.5 LPM



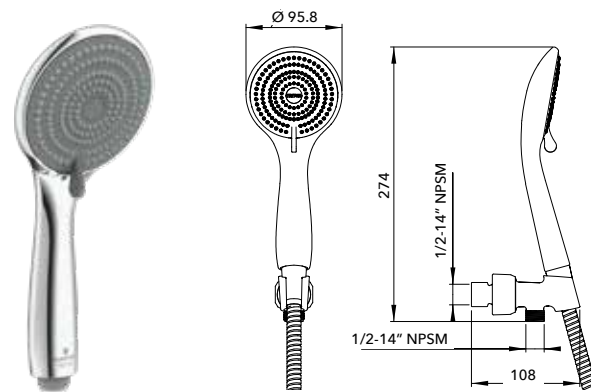
1 Function Hand Shower

W0700 + BRACKET + HOSE 6.6 LPM



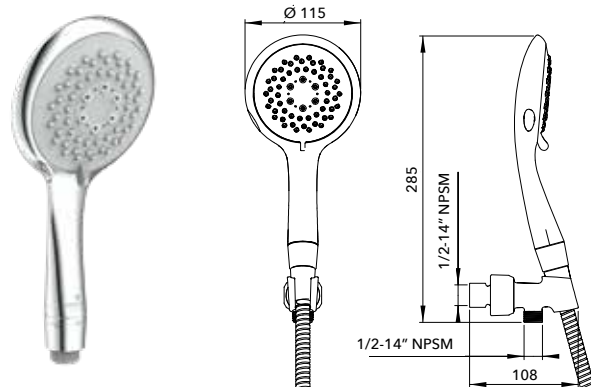
3 Function Hand Shower

W0701 + BRACKET + HOSE 6.6 LPM



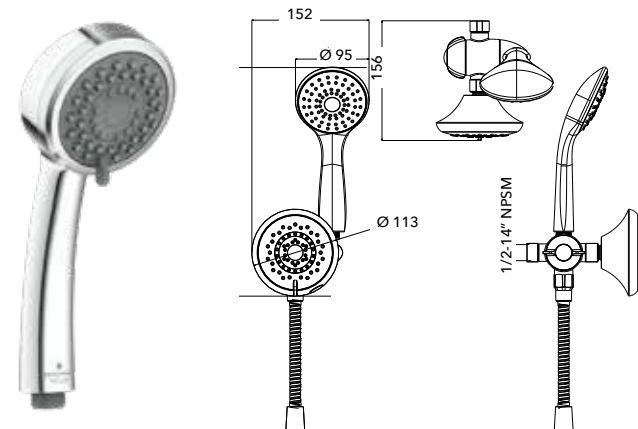
5 Function Hand Shower

W0800 + BRACKET + HOSE 6.6 LPM



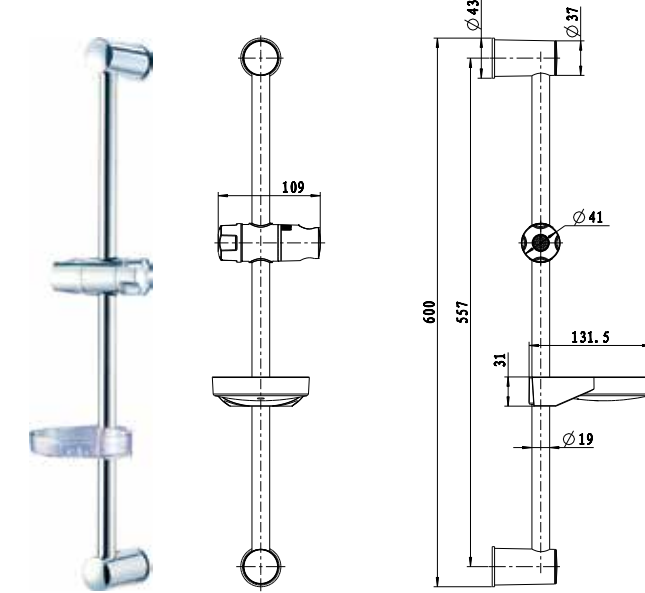
5 Function Hand Shower

W0400 + BRACKET + HOSE 6.6 LPM



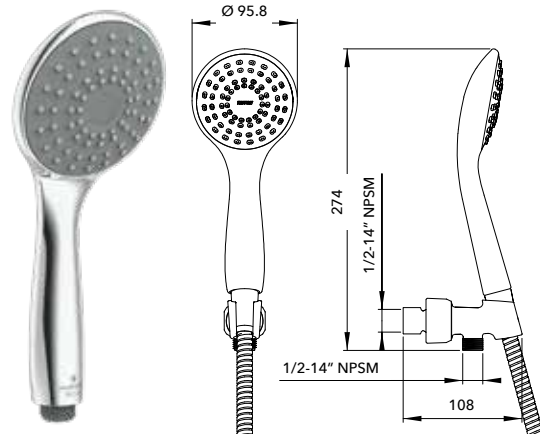
## SLIDING RAILS

NSB9103 700mm Height  
NSB9103A 900mm Height  
NSB9103B 600mm Height



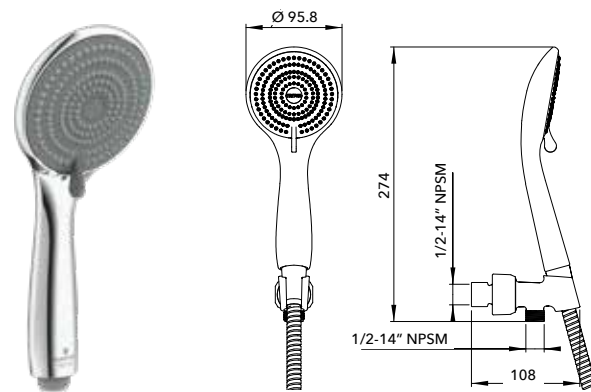
1 Function Hand Shower

W0700 + BRACKET + HOSE 6.6 LPM



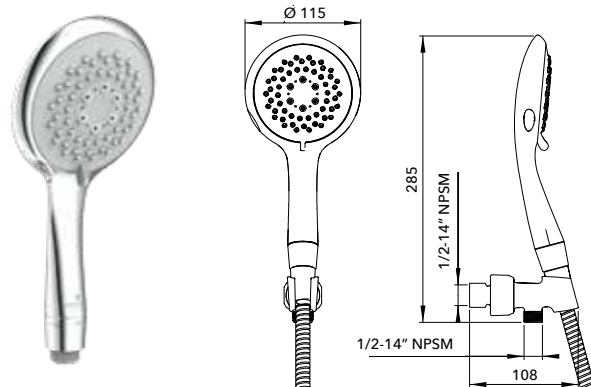
3 Function Hand Shower

W0701 + BRACKET + HOSE 6.6 LPM



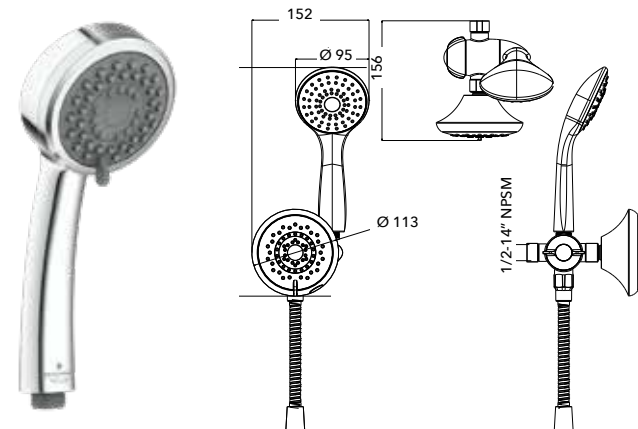
5 Function Hand Shower

W0800 + BRACKET + HOSE 6.6 LPM

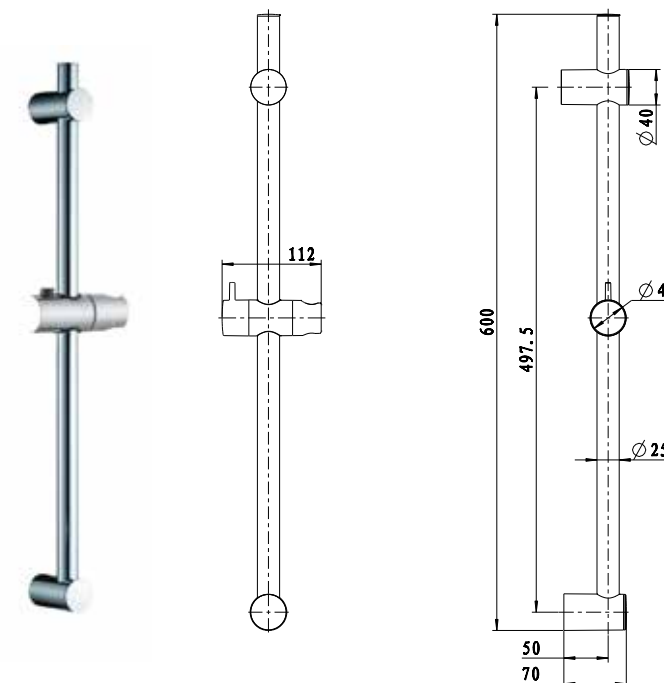


5 Function Hand Shower

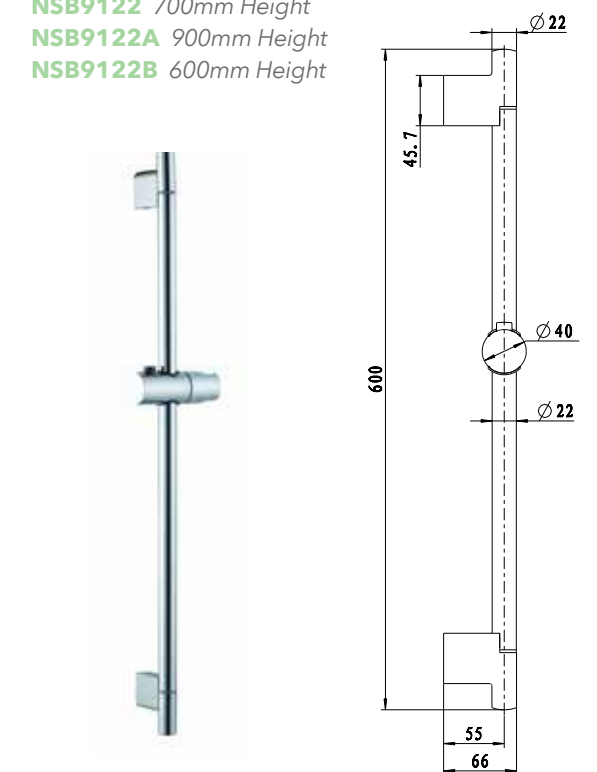
W0400 + BRACKET + HOSE 6.6 LPM



NSB9128 700mm Height  
NSB9128A 900mm Height  
NSB9128B 600mm Height



NSB9122 700mm Height  
NSB9122A 900mm Height  
NSB9122B 600mm Height

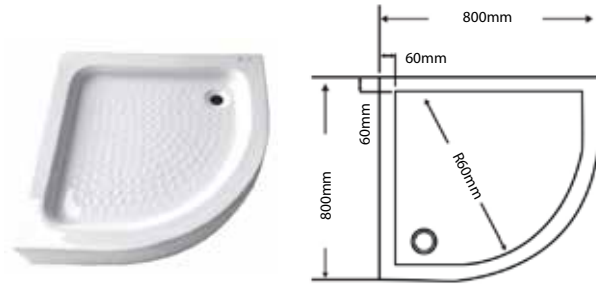


## SHOWER TRAYS

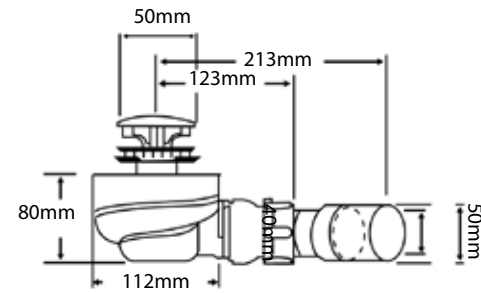
**N2372** Square Shower Tray



**N2376-Q** Quadrant Shower Tray



**N2372-DR** Automatic Shower Drain

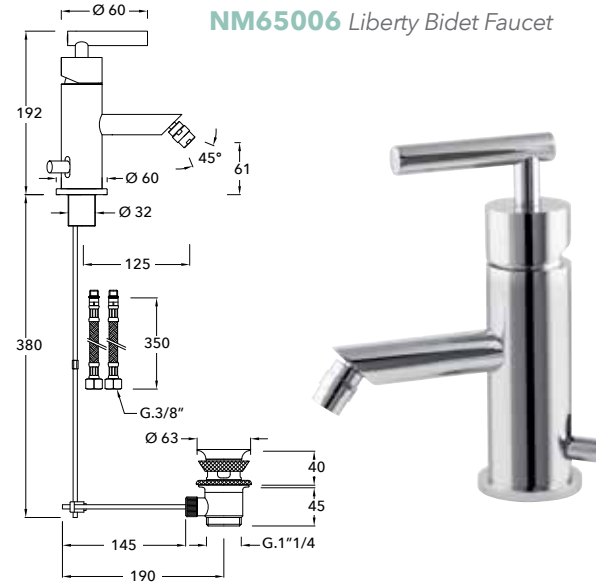


## NIAGARA MIDDLE EAST FAUCETS AND TAPS - LIBERTY

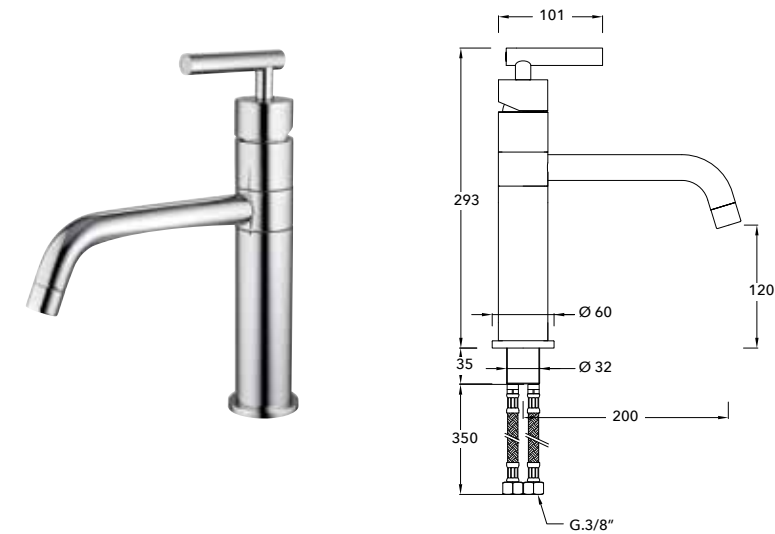
**NM65005** Liberty Wash Basin



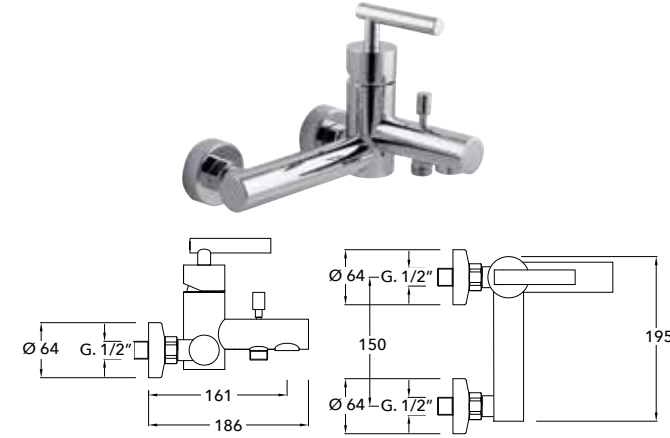
**NM65006** Liberty Bidet Faucet



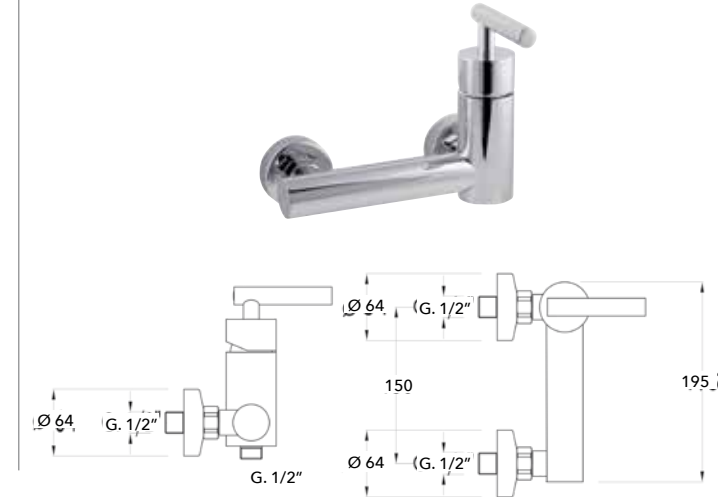
**NM65023** Liberty Kitchen Faucet



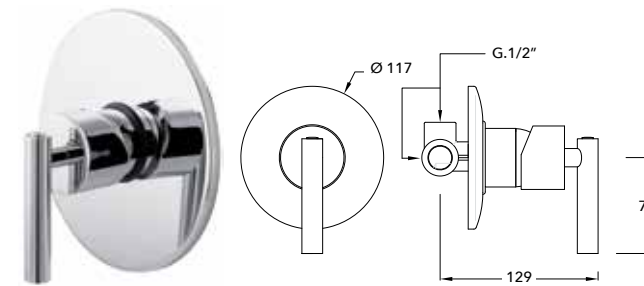
**NM65055** Liberty Bath-Shower Faucet



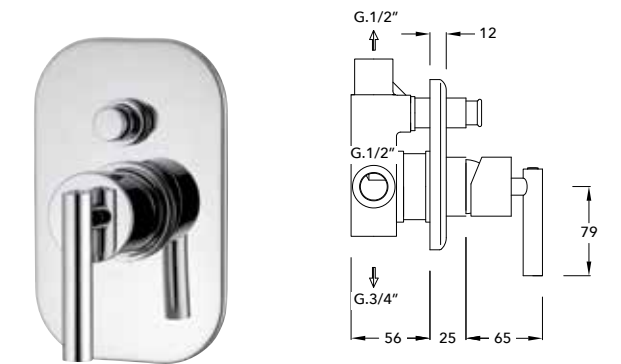
**NM65056** Liberty Wall Mounted Shower Faucet



**NM65001** Liberty Concealed Shower Faucet

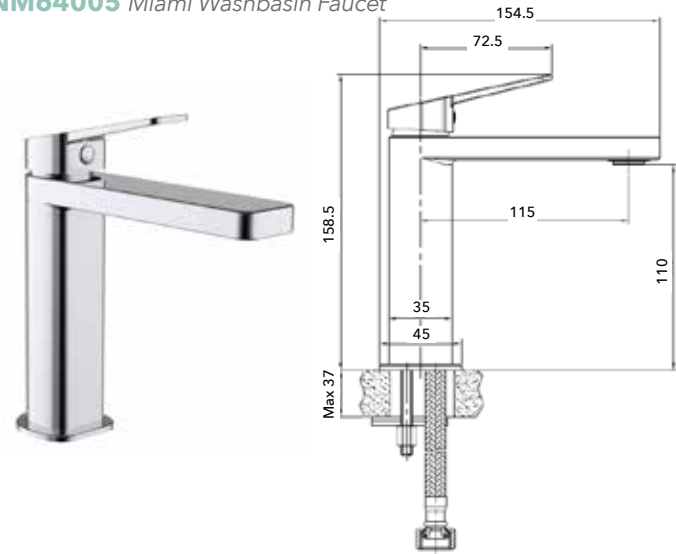


**NM65000** Liberty Concealed Shower Faucet

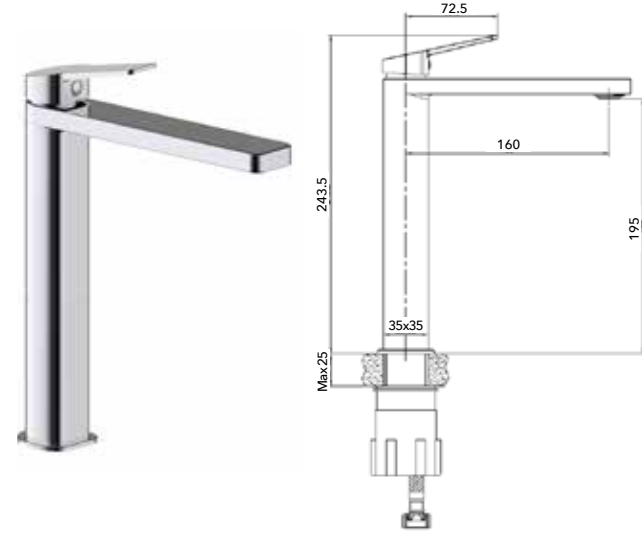


**NIAGARA MIDDLE EAST FAUCETS AND TAPS - MIAMI**

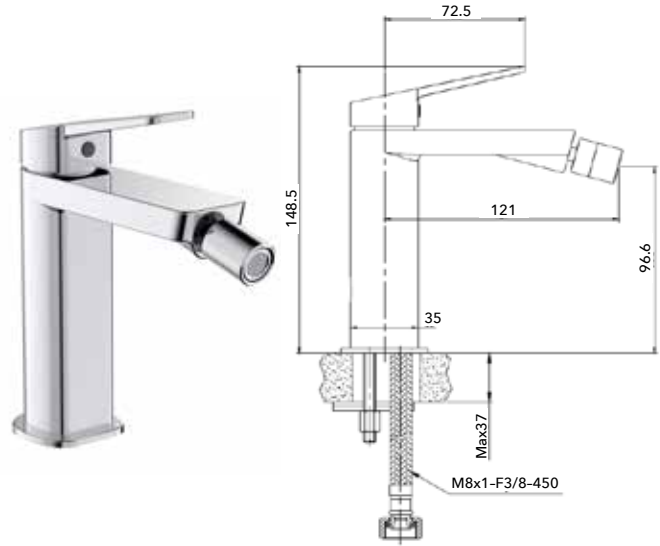
**NM64005** Miami Washbasin Faucet



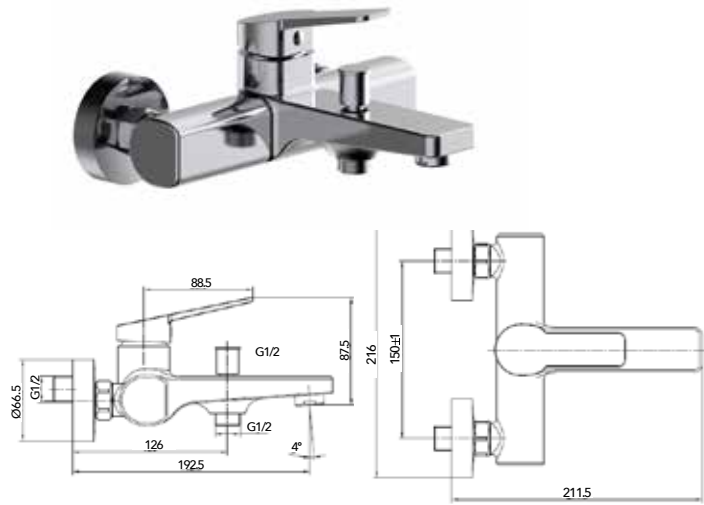
**NM64009** Miami High Washbasin Faucet



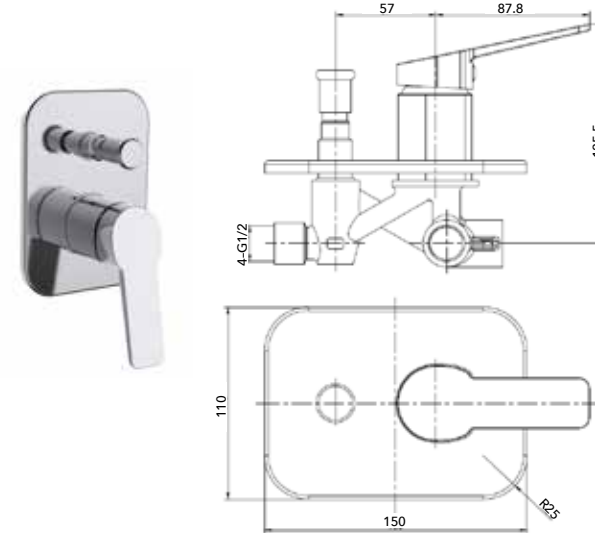
**NM64006** Miami Bidet Faucet



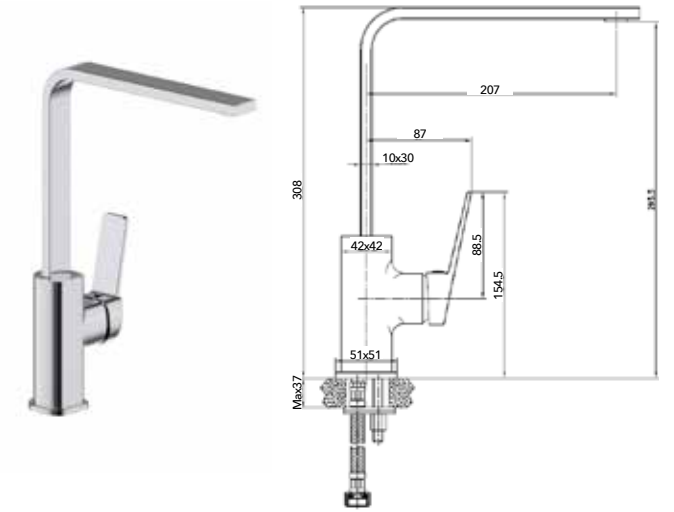
**NM64055** Miami Shower Faucet



**NM64000** Miami Concealed Shower Faucet

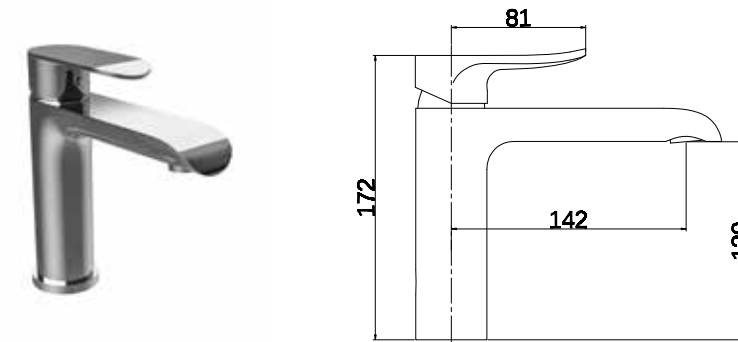


**NM64023** Miami Kitchen Faucet

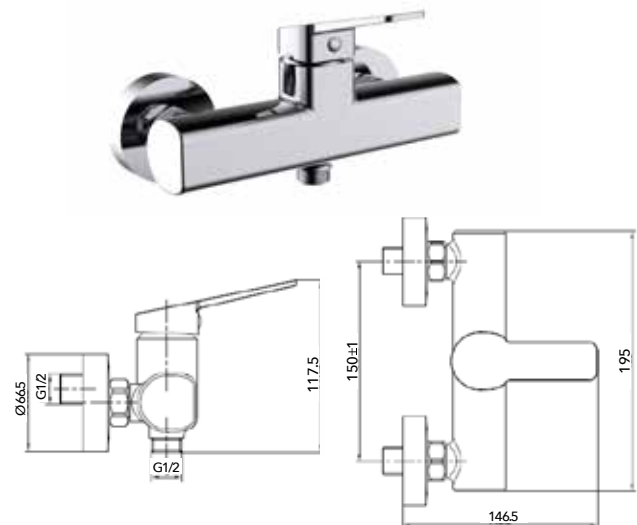


**NIAGARA MIDDLE EAST FAUCETS AND TAPS - MANHATTAN**

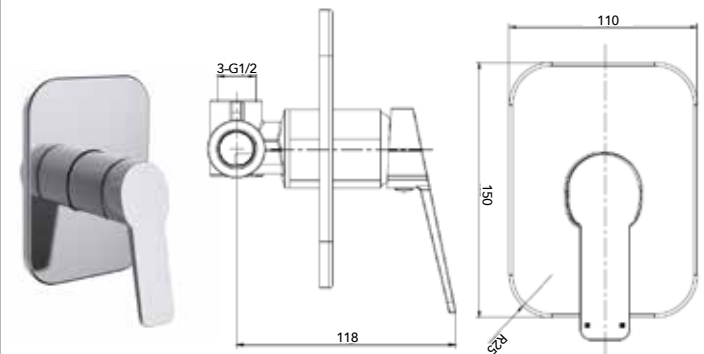
**NM63005** Manhattan Washbasin Faucet



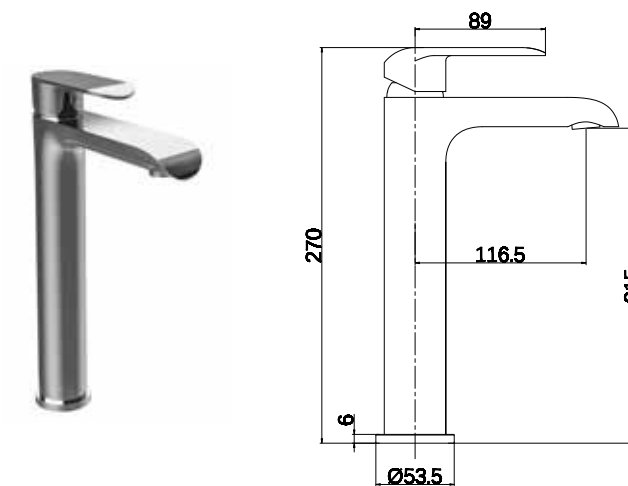
**NM64056** Miami Wall Mounted Shower Faucet



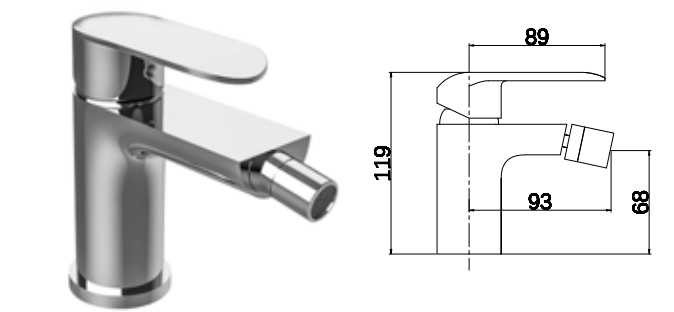
**NM64001** Miami Concealed Shower Faucet



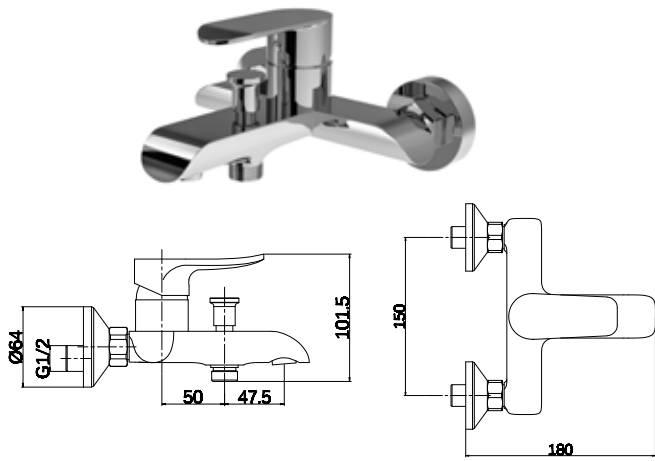
**NM63009** Manhattan High Washbasin Faucet



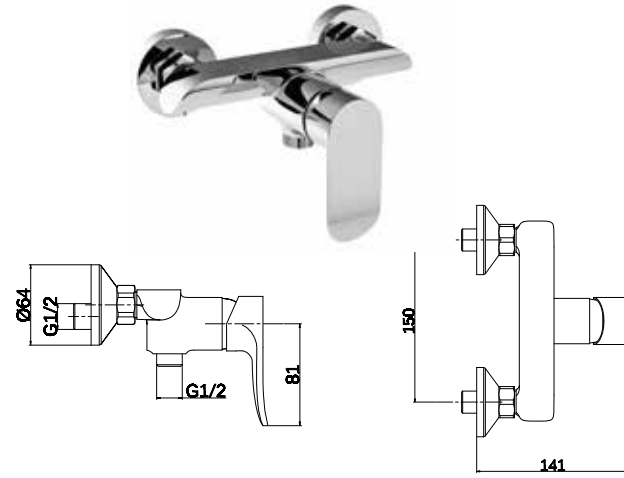
**NM63006** Manhattan Bidet Faucet



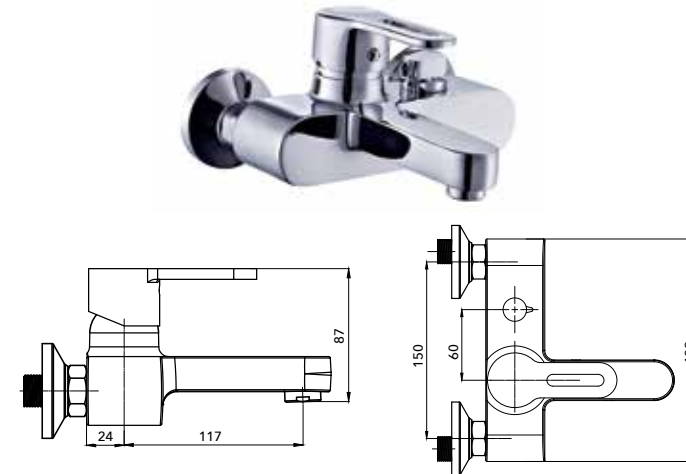
**NM63055** Manhattan Bath-Shower Faucet



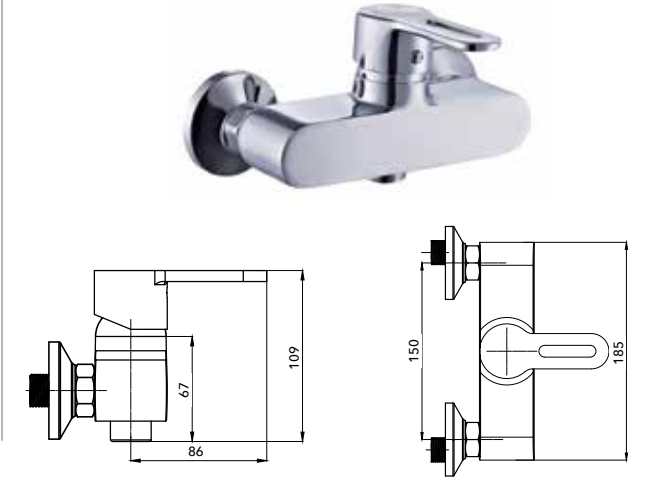
**NM63056** Manhattan Wall Mounted Shower Faucet



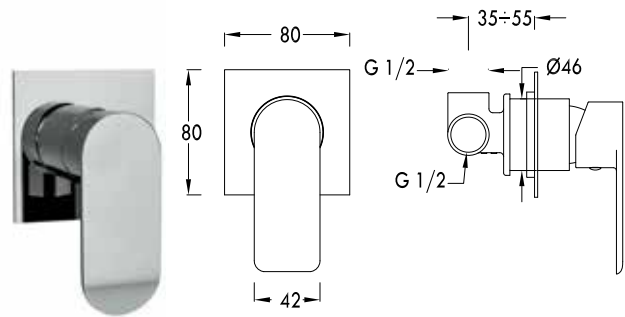
**NM62055** Santa Monica Bath-Shower Faucet



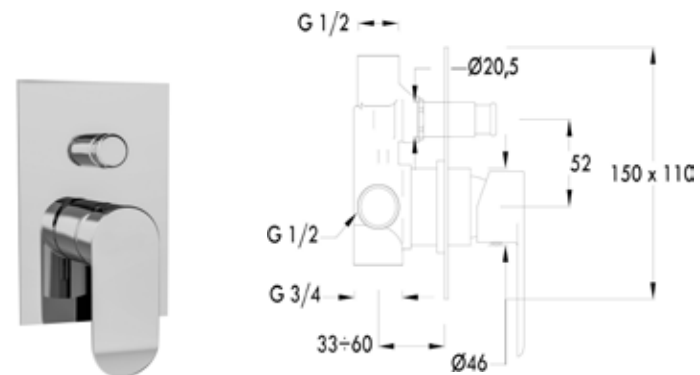
**NM62056** Santa Monica Wall Mounted Shower Faucet



**NM63001** Manhattan Concealed Shower Faucet



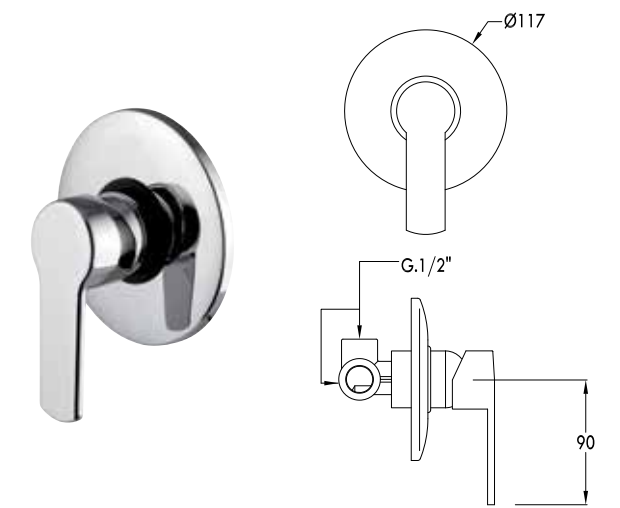
**NM63000** Manhattan Concealed Shower Faucet



**NM62023** Santa Monica Kitchen Faucet



**NM62001** Santa Monica Concealed Shower Faucet



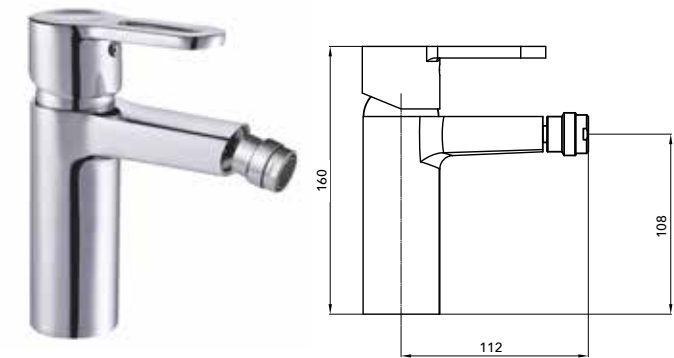
**NIAGARA MIDDLE EAST FAUCETS, TAPS, AND SHATTAFS - SANTA MONICA**

**NIAGARA MIDDLE EAST FAUCETS, TAPS, AND SHATTAFS - GOLDEN GATE**

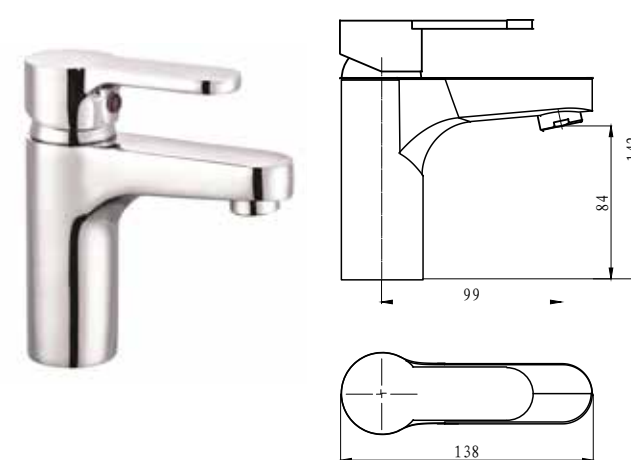
**NM62005** Santa Monica Washbasin Faucet



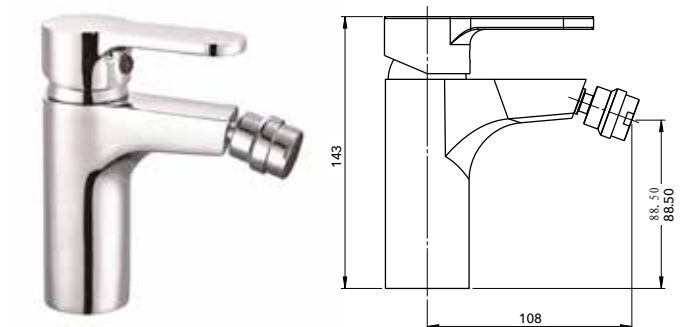
**NM62006** Santa Monica Bidet Faucet



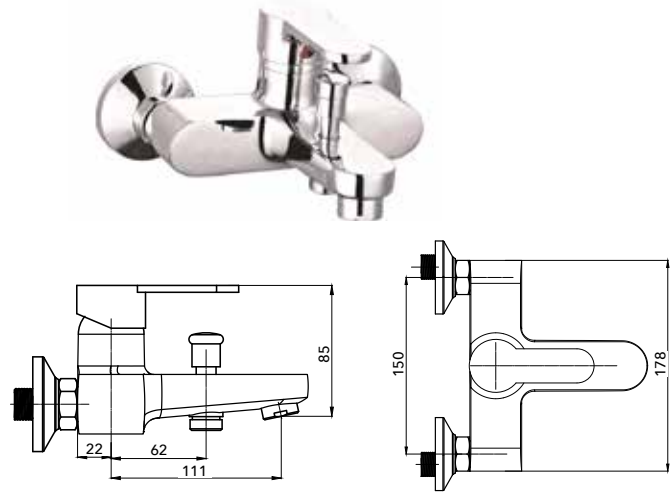
**NM61005** Golden Gate Washbasin Faucet



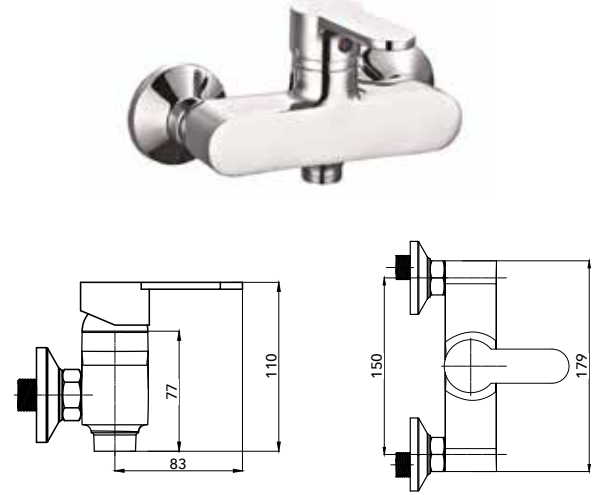
**NM61006** Golden Gate Bidet Faucet



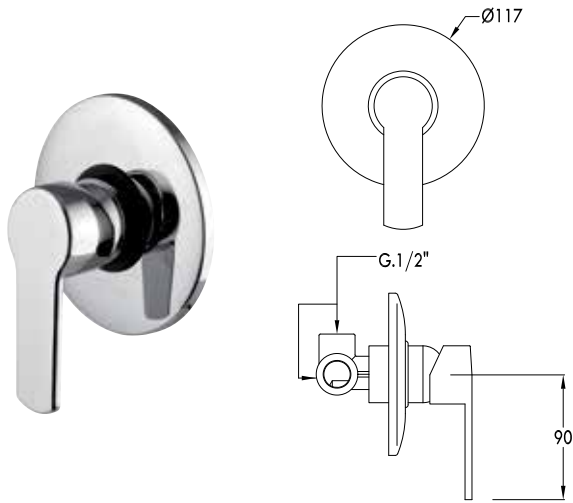
**NM61055** Golden Gate Bath-Shower Faucet



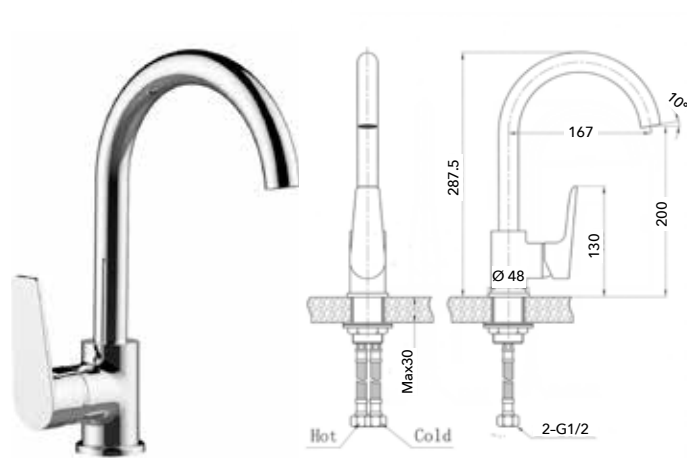
**NM61056** Golden Gate Wall Mounted Faucet



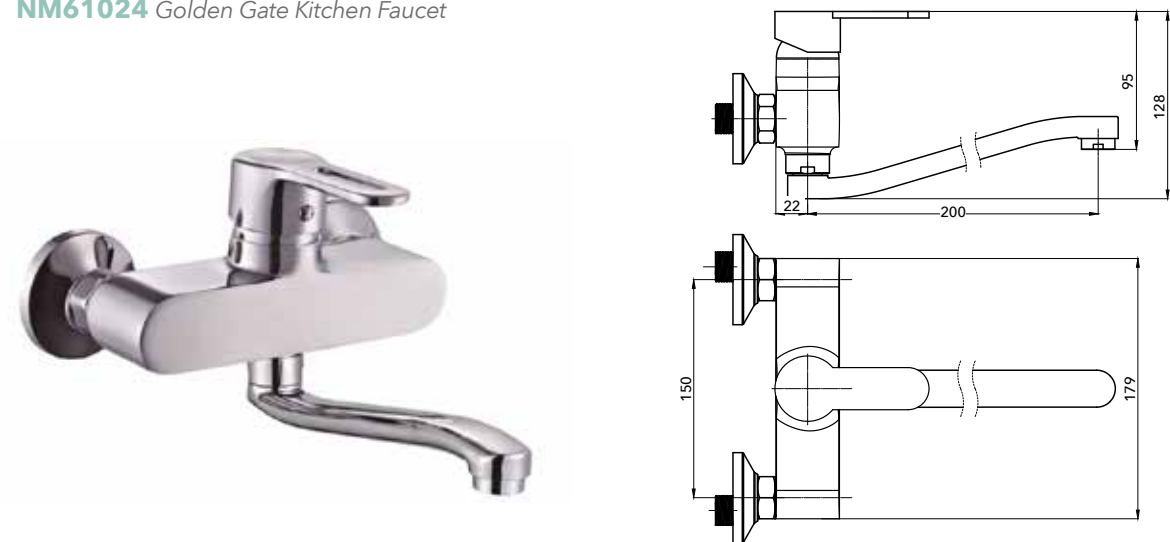
**NM61001** Golden Gate Concealed Shower Faucet



**NM61023** Golden Gate Kitchen Lateral Faucet

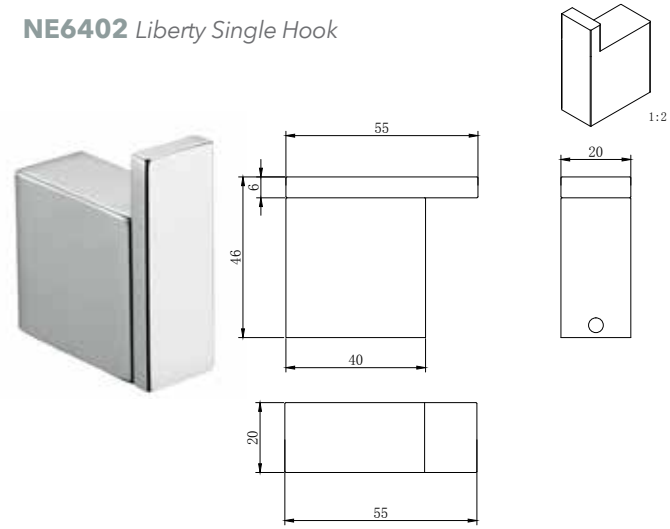


**NM61024** Golden Gate Kitchen Faucet

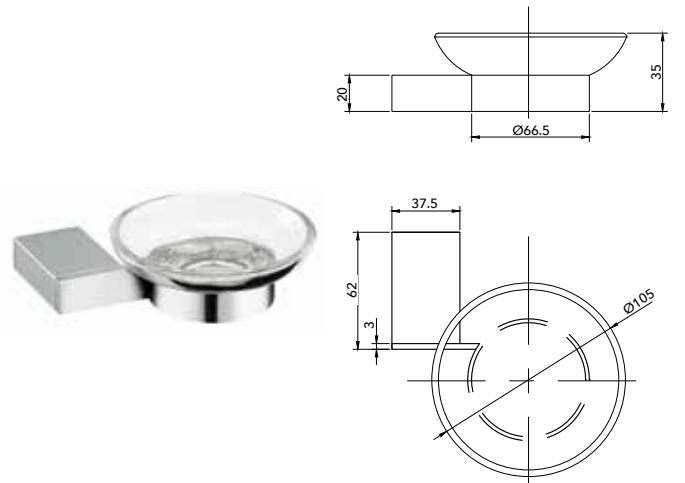


**NIAGARA MIDDLE EAST ACCESSORIES - LIBERTY**

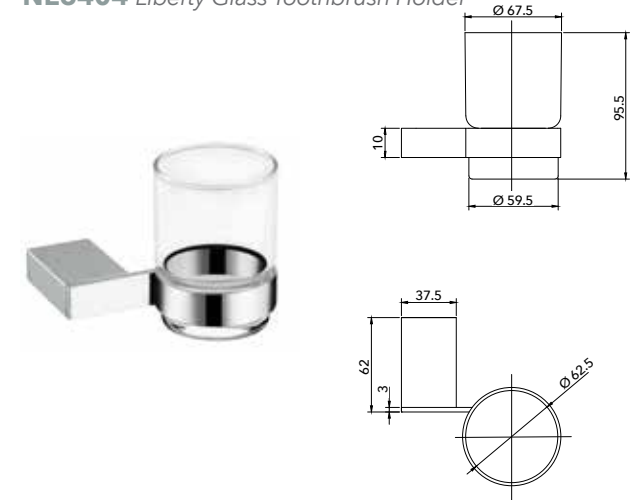
**NE6402** Liberty Single Hook



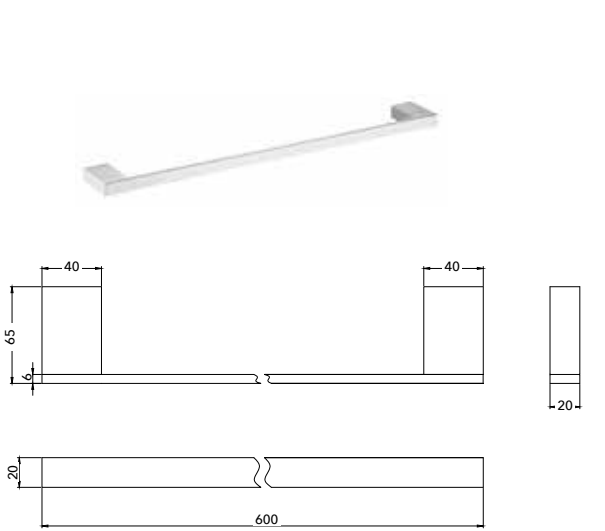
**NE6403** Liberty Round Glass Soap Dish



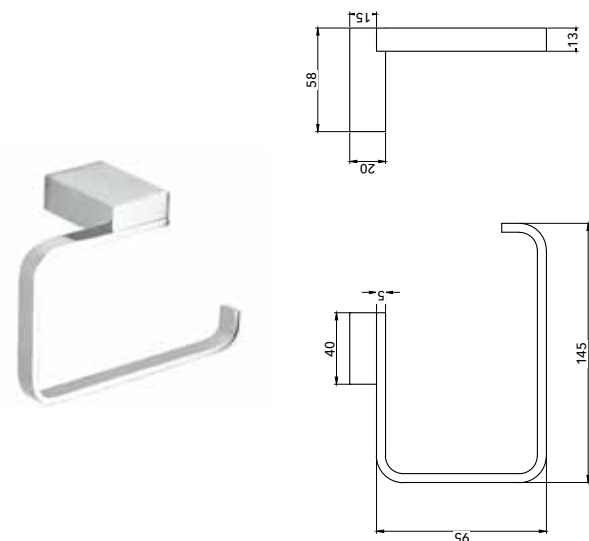
**NE6404** Liberty Glass Toothbrush Holder



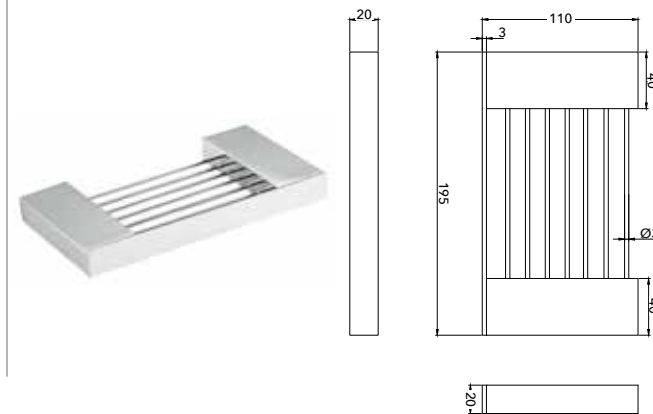
**NE6405** Liberty Chrome-Plated Towel Bar



**NE6407** Liberty Toilet Tissue Holder

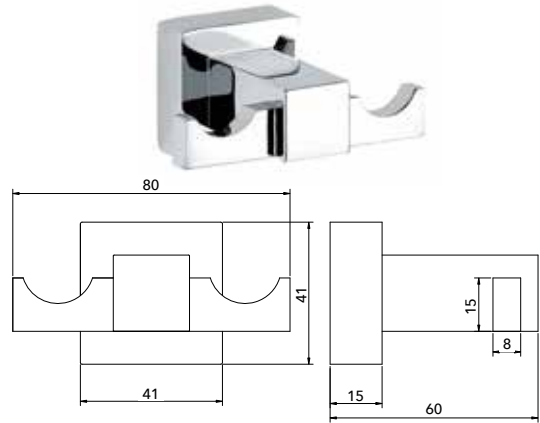


**NE6410** Liberty Chrome-Slotted Soap Basket



**NIAGARA MIDDLE EAST ACCESSORIES - MANHATTAN**

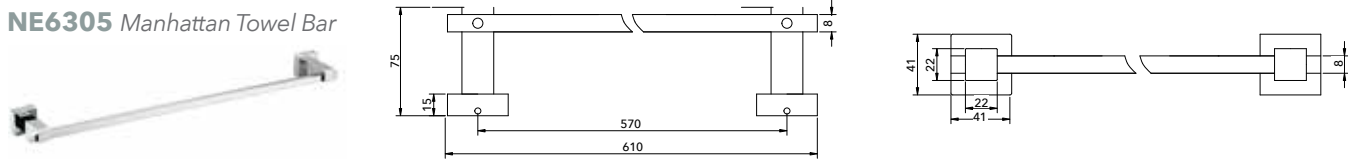
**NE6301** Manhattan Chrome Double Hook



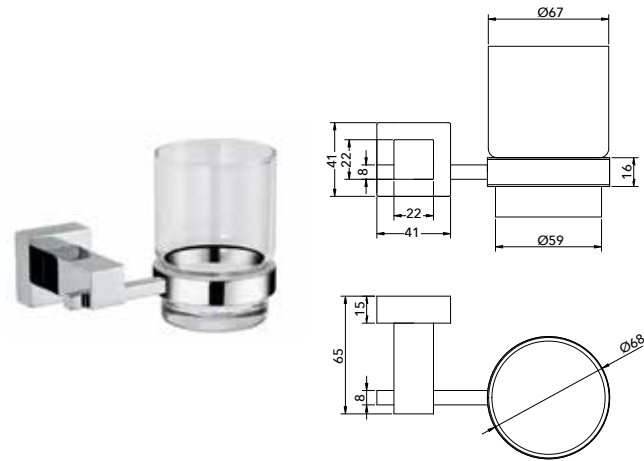
**NE6303** Manhattan Round Glass Soap Dish



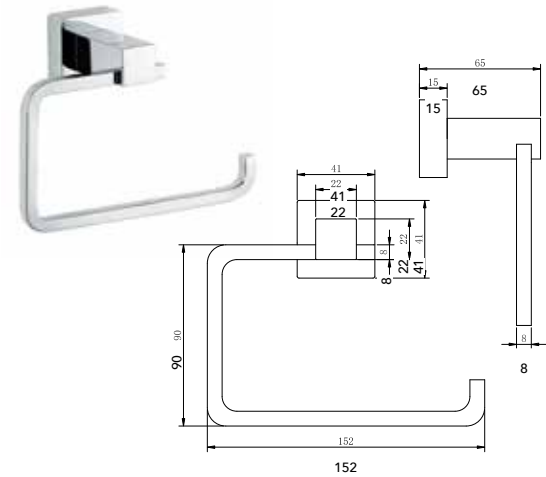
**NE6305** Manhattan Towel Bar



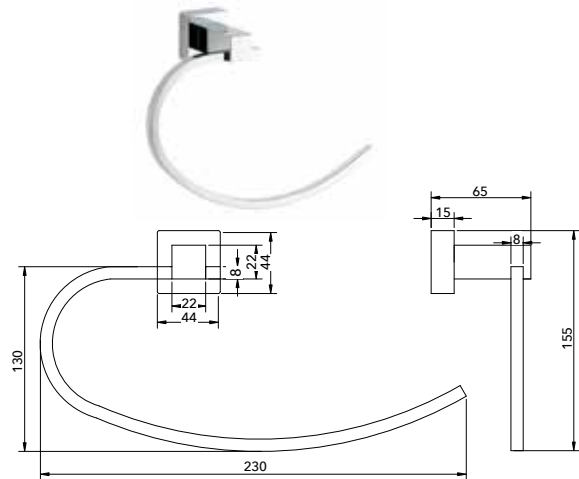
**NE6304** Manhattan Glass Toothbrush Holder



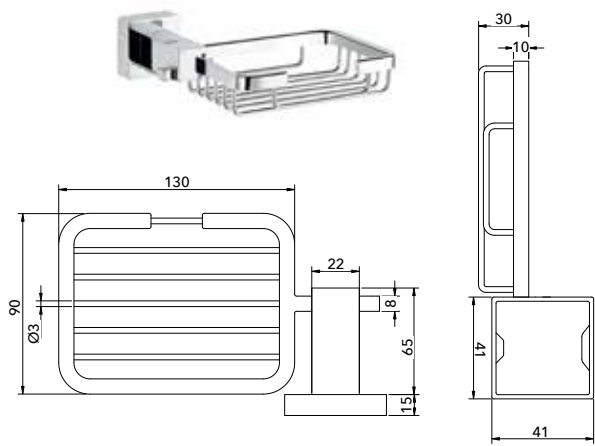
**NE6307** Manhattan Toilet Tissue Holder



**NE6312** Manhattan Towel Ring

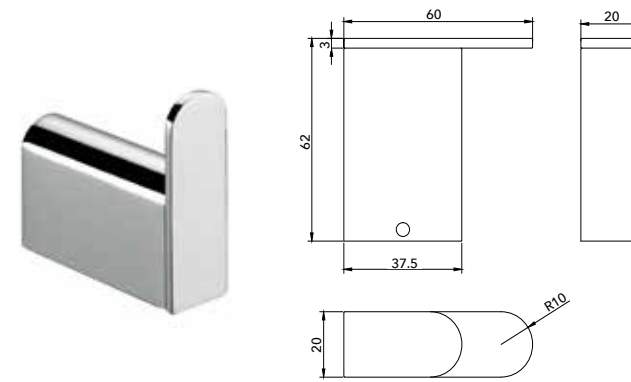


**NE6310** Manhattan Chrome Slotted Soap Dish

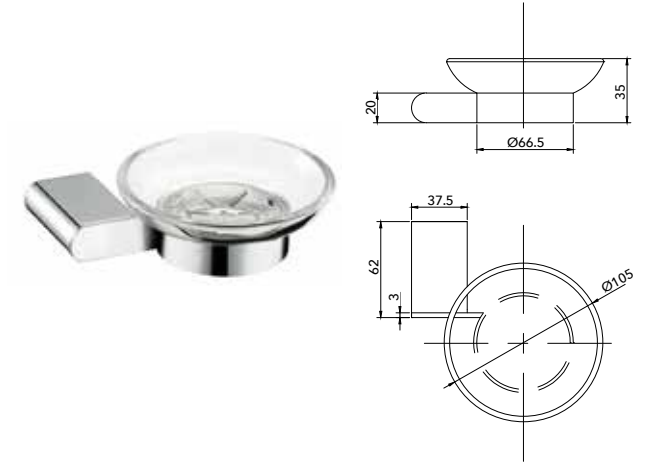


**NIAGARA MIDDLE EAST ACCESSORIES - SANTA MONICA**

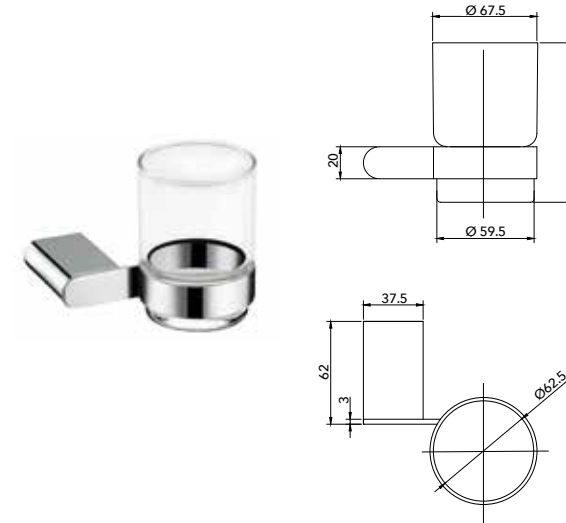
**NE6202** Santa Monica Single Hook



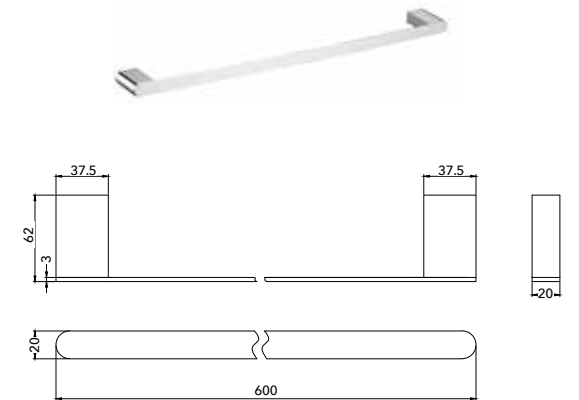
**NE6203** Santa Monica Round Glass Soap Dish



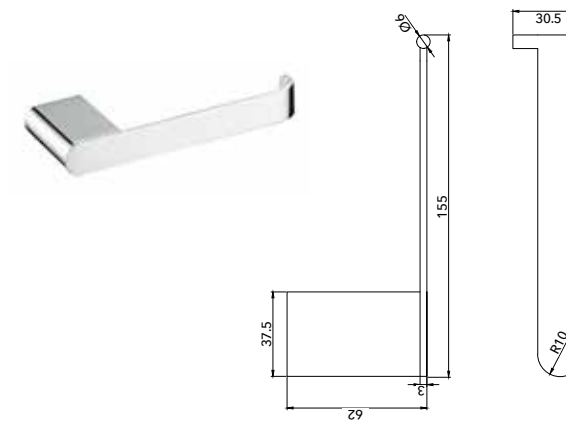
**NE6204** Santa Monica Glass Toothbrush Holder



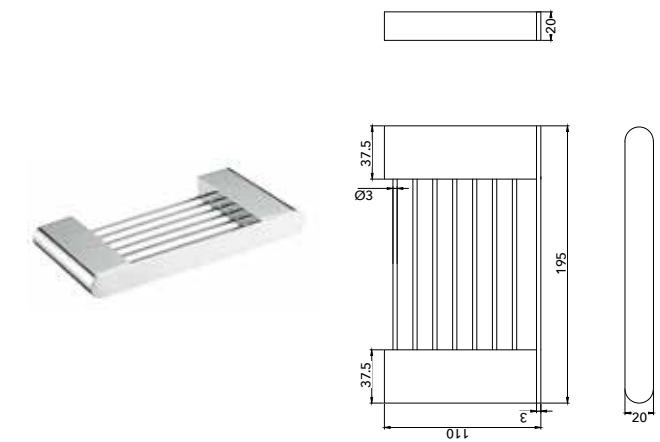
**NE6205** Santa Monica Towel Bar



**NE6207** Santa Monica Toilet Tissue Holder

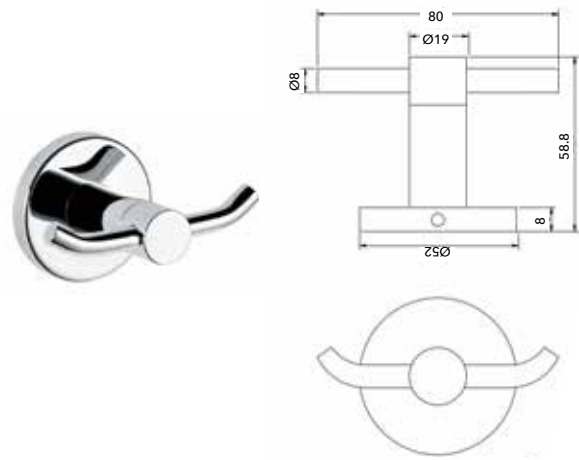


**NE6210** Santa Monica Chrome-Slotted Soap Dish



**NIAGARA MIDDLE EAST ACCESSORIES - GOLDEN GATE**

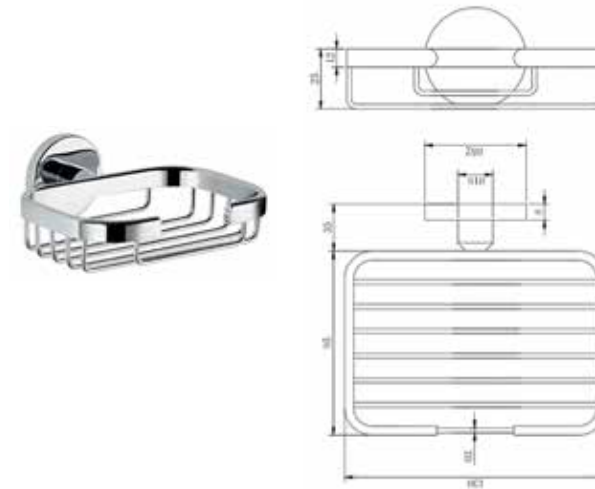
**NE6101** Golden Gate Dual Hook



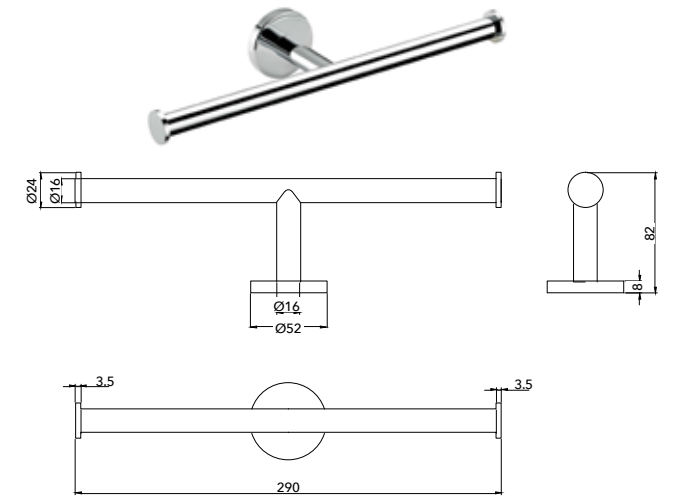
**NE6103** Golden Gate Round Glass Soap Dish



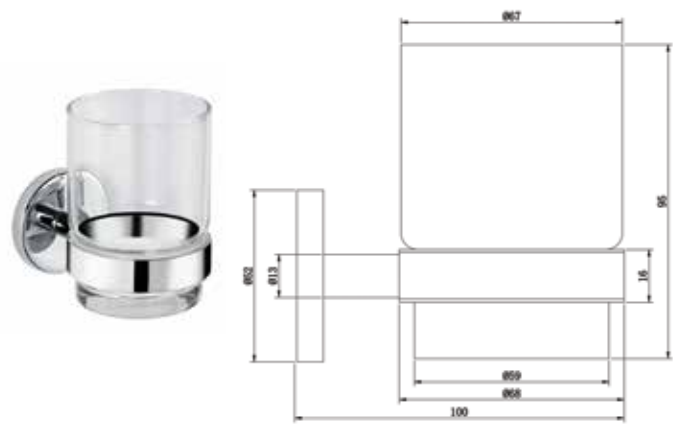
**NE6110** Golden Gate Chrome Slotted Soap Dish



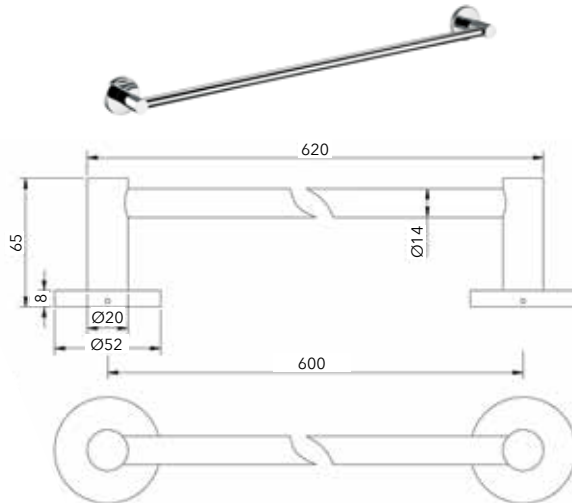
**NE6118** Golden Gate Chrome Double Toilet Tissue Holder



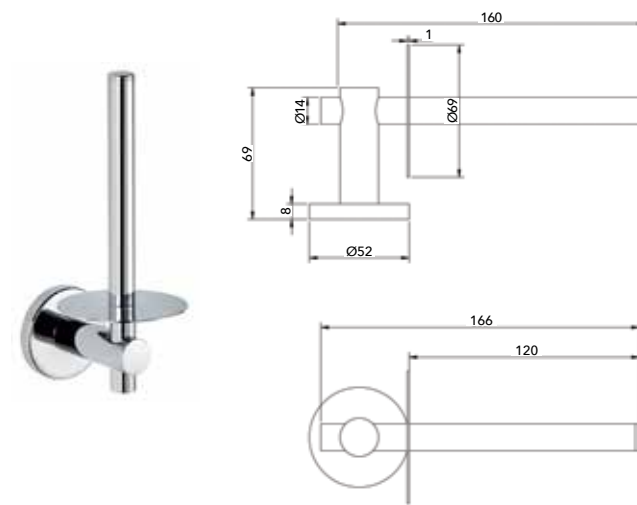
**NE6104** Golden Gate Glass Toothbrush Holder



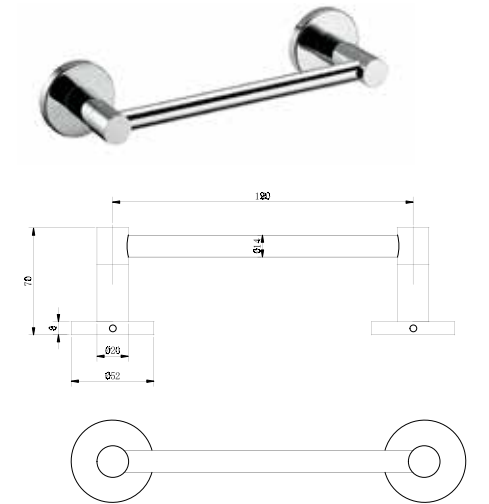
**NE6105** Golden Gate Towel Bar



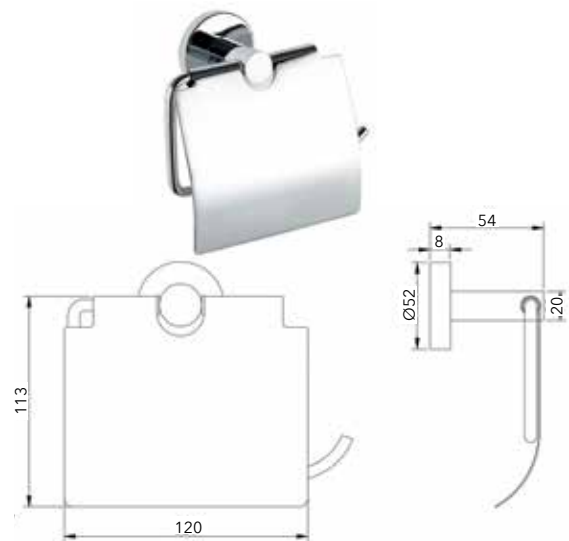
**NE6106** Golden Gate Vertical Toilet Tissue Holder



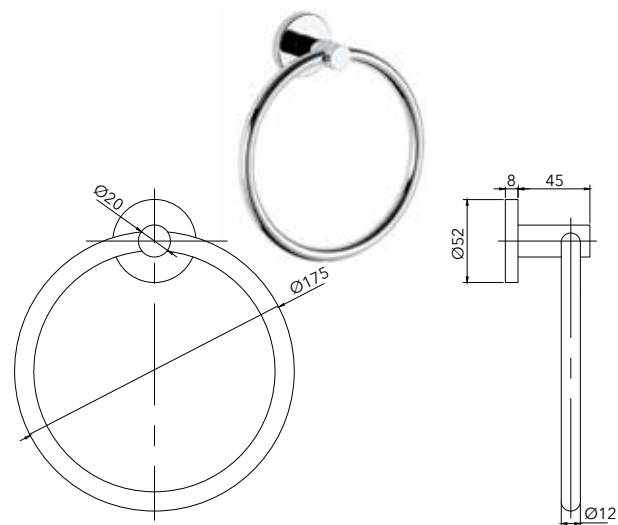
**NE6125** Golden Gate Horizontal Grab Bar



**NE6107** Golden Gate Toilet tissue Holder + Cover



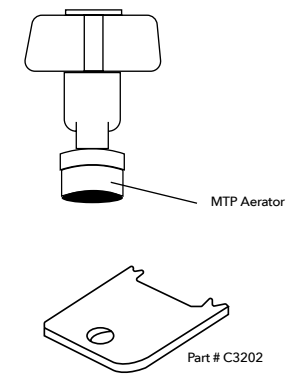
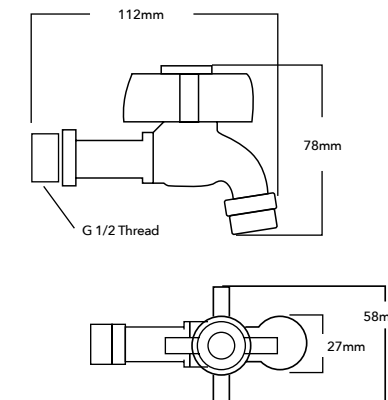
**NE6112** Golden Gate Round Hand Towel Holder



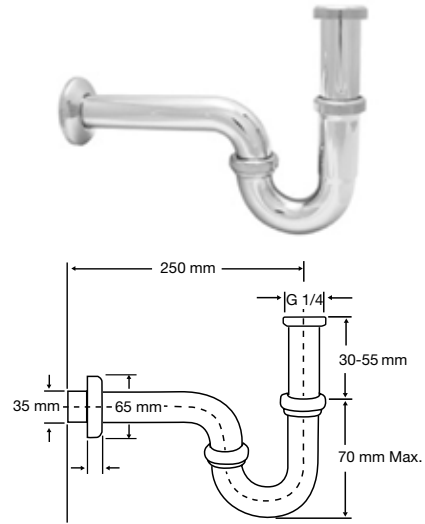
**NIAGARA MIDDLE EAST PLUMBING ACCESSORIES**



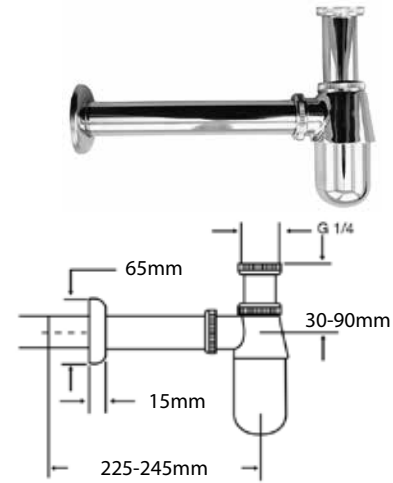
Super Faucet  
**N3421-NCC 5.7 LPM**



**N2387** P-Trap



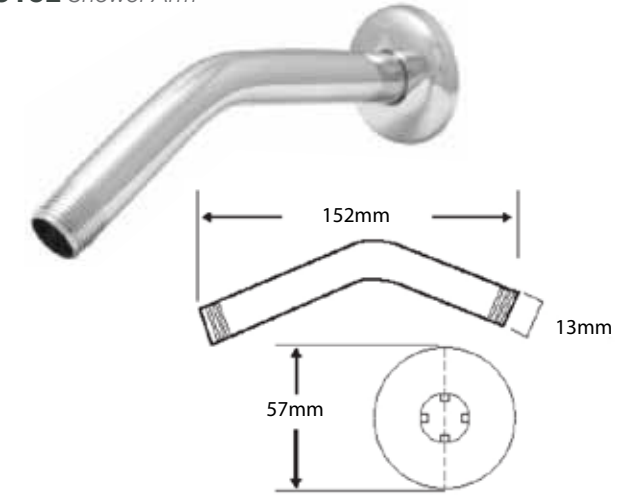
**N2386** Bottle Trap



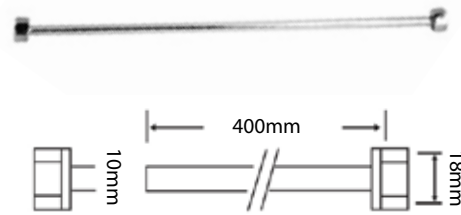
Soap And Soak On/Off Valve  
**N3320V** 7.6 LPM



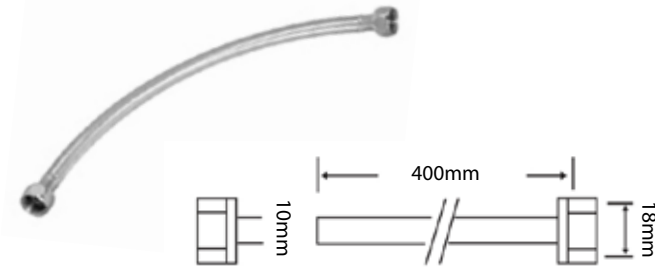
**N3162** Shower Arm



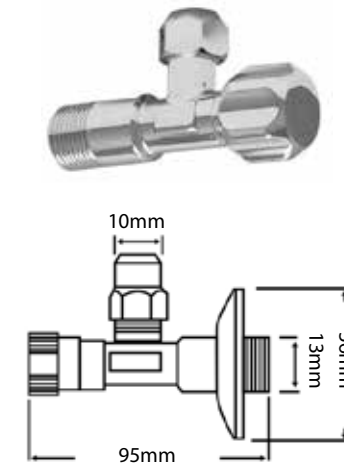
**N2388-400** Copper Supply Tube 400mm  
Special Order:  
**N2388-300** Copper Supply Tube 300mm  
**N2388-500** Copper Supply Tube 500mm  
**N2388-800** Copper Supply Tube 800mm



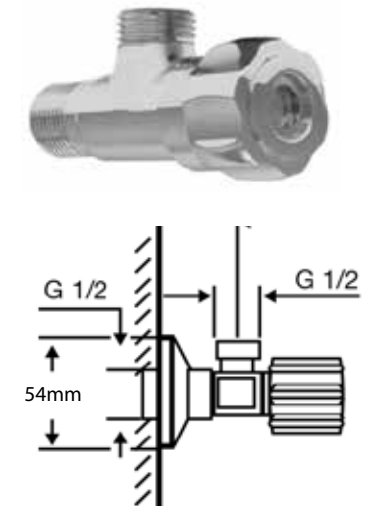
**N2389-400** SS Flexible Hose 400mm  
Special Order:  
**N2389-300** SS Flexible Hose 300mm  
**N2389-500** SS Flexible Hose 500mm  
**N2389-800** SS Flexible Hose 800mm



**N2385** Mixer Angle Valve



**N2384** Toilet And Shattaf Angle Valve



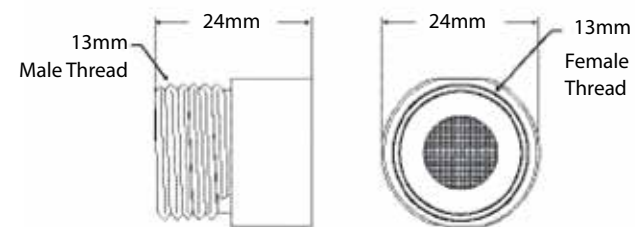
**N2317-VP** Vacuum Breaker



Length: 29 mm (1.125")  
Diameter: 25 mm (1")  
Threads:  
1/2"-14 NPSM Female Inlet,  
1/2"-14 NPSM Male Outlet  
Weight: 0.06kg (0.133lbs)

Showerhead Flow Control

**N3320** 7.6 LPM  
**N3322** 8.5 LPM  
**N3325** 9.5 LPM



**NT6118** Mixer Angle Valve



**NT6119** Toilet And Shattaf Angle Valve





